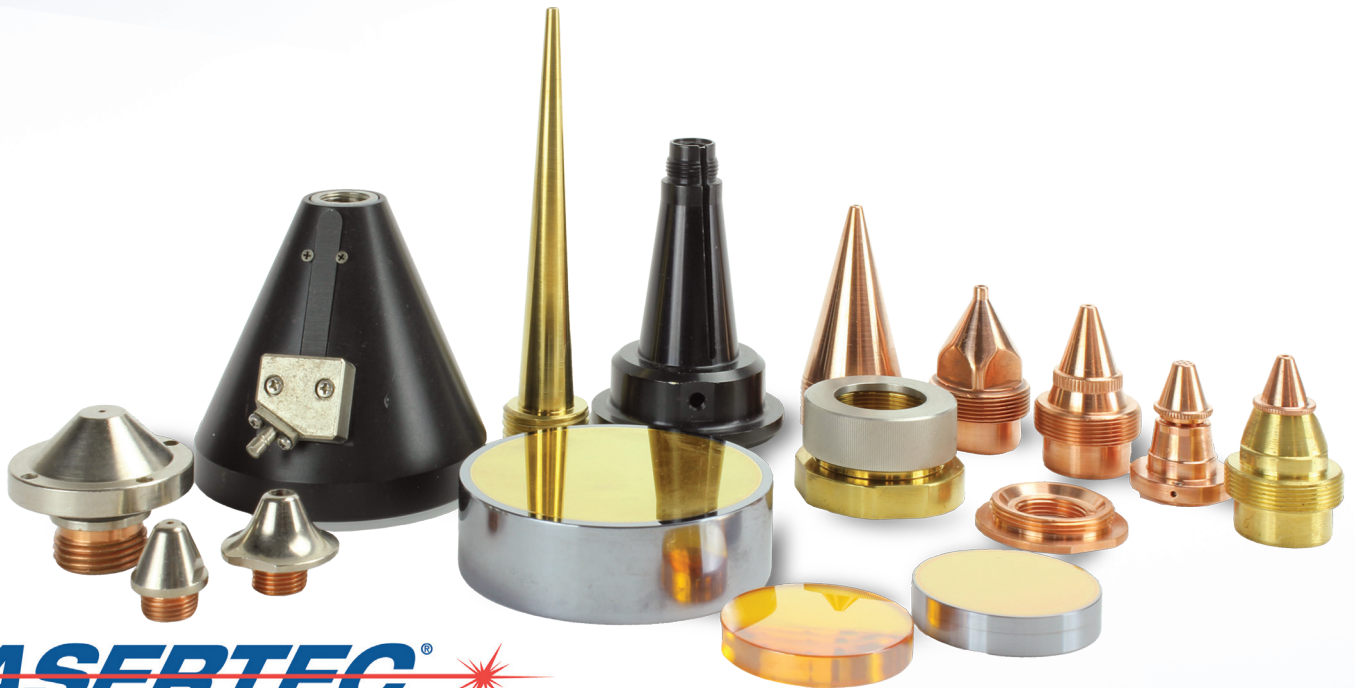


LASER CUTTING PRODUCTS



LASERTEC® 

**SENSORS, CONSUMABLES, LENSES,
REFLECTORS AND REPLACEMENT PARTS**

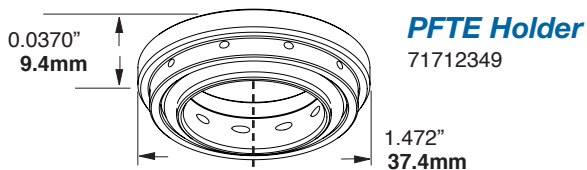
American Torch Tip **LASERTEC**® for Most Brands
Made In the USA

**AMERICAN
TORCH TIP ATTC**® 

LASER TABLE OF CONTENTS – BY BRAND

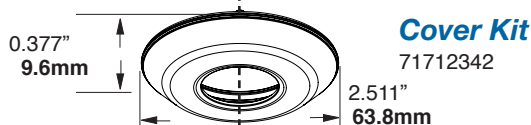
Amada®	3	Lumonics	33
Behrens®	12	Mazak®	34
BLM/Adige	13	MG®	42
Bystronic®	14	Mitsubishi®	43
Cincinnati®	19	Niigata®	48
Directed Light®	22	NTC®/Beyeler®	48
Electrox®	22	Precitec®	49
Fanuc®	23	Raytheon®	56
Gremada®	24	Rofin Sinar®	56
Huffman®	25	Shibuya®	56
HK Laser & Systems®	26	Spectra Physics®	56
Komatsu®	28	Salvagnini®	57
Lasag®	28	Strippit® /LVD®	58
Laser Lab®	29	Tanaka®	60
Laserdyne/ Prima®	30	Trumpf®	61
Laser Mechanisms®	32		

LASER



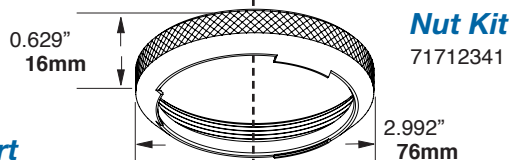
PTFE Holder

71712349



Cover Kit

71712342

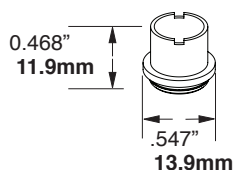


Nut Kit

71712341

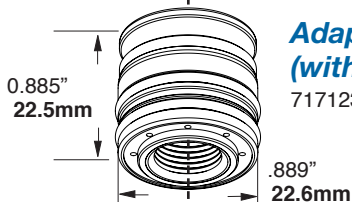
Insert

71716438



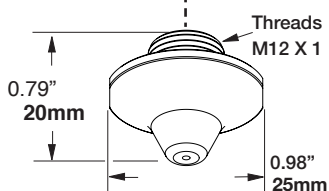
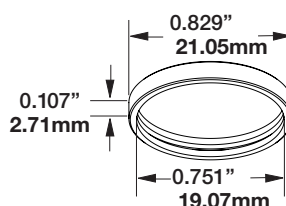
Adaptor Nozzle Holder (with insert)

71712350



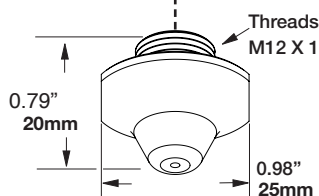
Teflon™ Ring

71712340



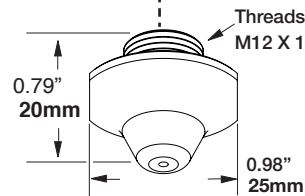
Nozzle Mushroom Single, Chrome

71369812-0.8	0.8mm
71369812-1.0	1.0mm
71369812	1.2mm
1572362-1.4	1.4mm
71369815	2.0mm
71369816	3.0mm
71369815-4.0	4.0mm
71502037	1.2mm (Eco Cut)
71501056	1.5mm
71501057	2.0mm
71501057-2.5	2.5mm
71501058	3.0mm
71570021	1.0mm (FE)
71570020	1.2mm
71570030	1.0mm (WACS FE)
71570023	1.2mm
71570030-2.0	2.0mm
71502043	2.0mm (Hard Chrome)



Nozzle Mushroom Double

1572361	1.2mm
71369813	1.4mm
71369813-2.0	2.0mm
71369813-2.5	2.5mm
71369813-3.5	3.5mm
71369817	4.0mm
71501059	2.5mm (E)
71501060	4.0mm
71570022	2.0mm (F)
71461029	1.4mm
71568227	1.4mm (FE)
71712335	2.5mm (WACS)
71501093	4.0mm (AL)
71341728	4.0mm (CleanCut)
71341729	7.0mm (Large Front - Hard Chrome)
71501092	7.0mm (Large Front)
71712692	7.0mm (Large Front - Silly Cut)

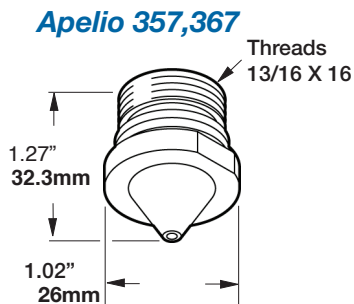
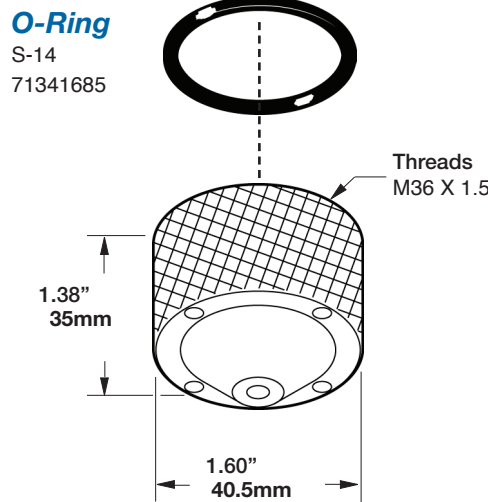
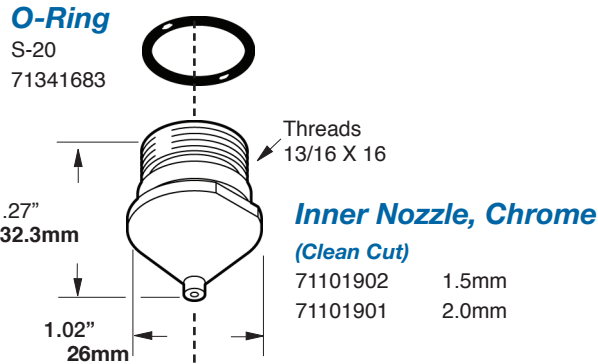


Nozzle Mushroom Double w/Teflon™ Ring

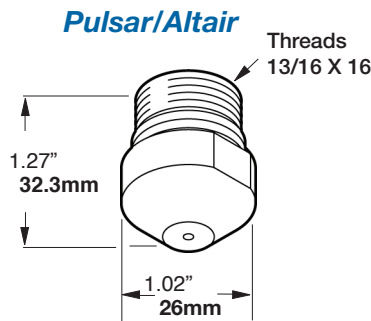
71461026	2.5mm
71461158	4.0mm

Lasmac 667/664 Water Assist

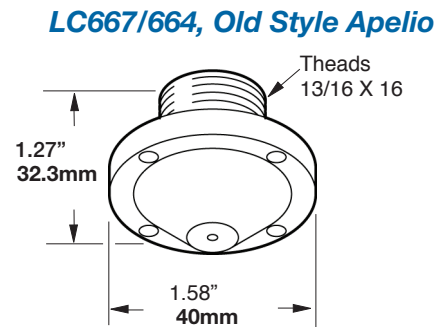
LASER



Nozzle, Chrome
(Clean Cut)
6506892-1.2 1.2mm
6506892 2.0mm

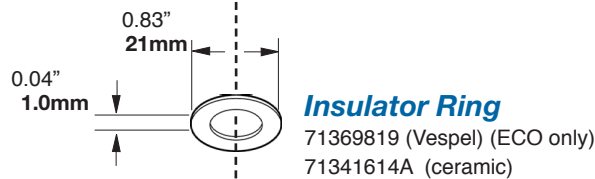
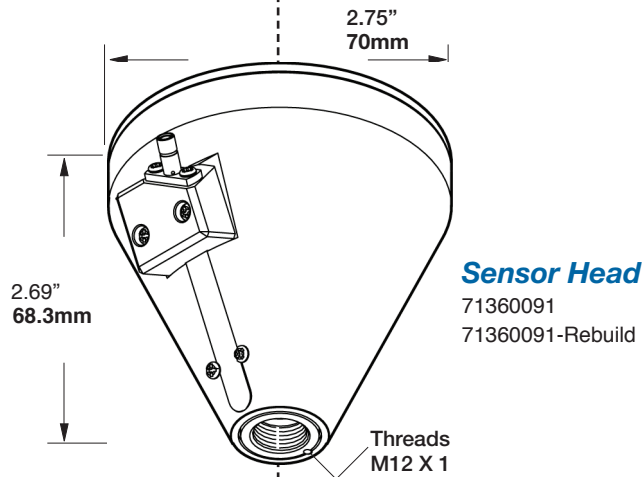
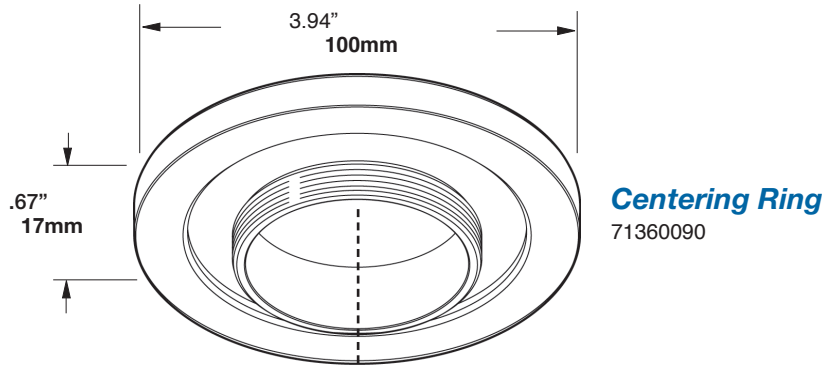


Inner Nozzle
62094003 2.0mm
62094004 3.0mm



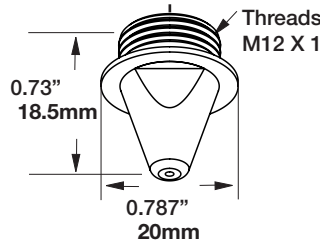
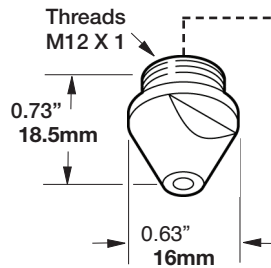
Nozzle
(Clean Cut)
71102000 1.5mm
71102000-1.75 1.75mm
71101999 2.0mm
71101999-2.5 2.5mm

Sensor System HS95



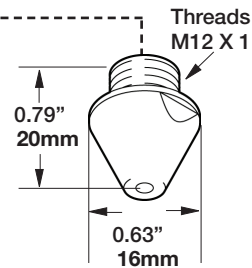
Ext. Nozzle, Chrome

1664545U-1.0	1.0mm
1664545U-1.2	1.2mm
1664545U-1.5	1.5mm
71341610	2.0mm
71341610-2.5	2.5mm
71360142	3.0mm



Nozzle, Chrome w/large flange

1664545U-1.0R
1664545U-1.5R



Nozzle Double

1300236	1.4mm
71369809	1.5mm
71341680-2.0	2.0mm
71341680	2.5mm
71341680-3.0	3.0mm
71341680-3.5	3.5mm
71341681	4.0mm

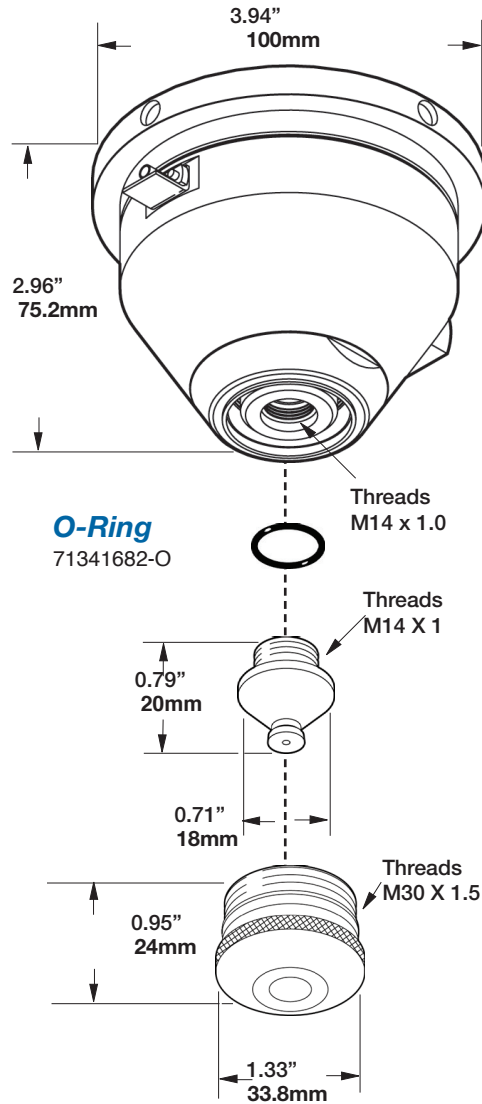
LASER

6

AMADA[®]

WACS Sensor System

LASER



Sensor Head
WACS

71341687- Rebuild

Nozzle Double WACS, Chrome

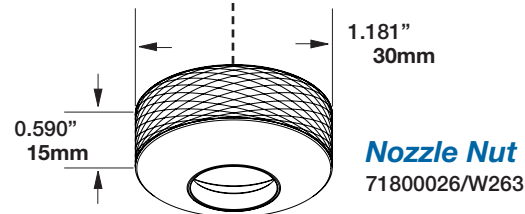
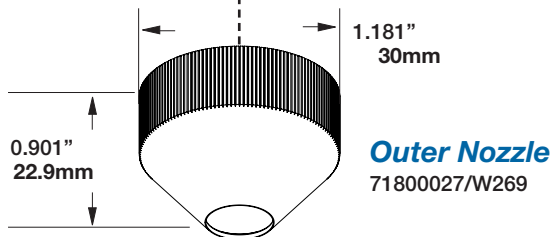
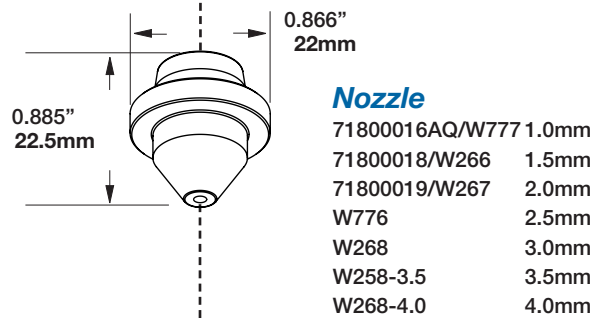
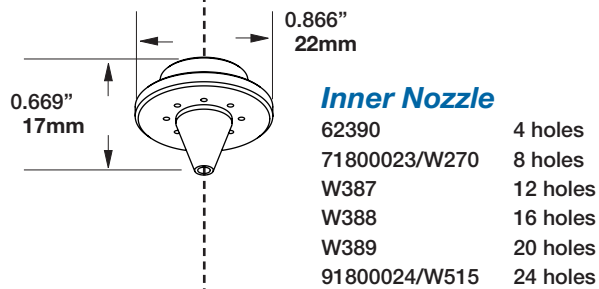
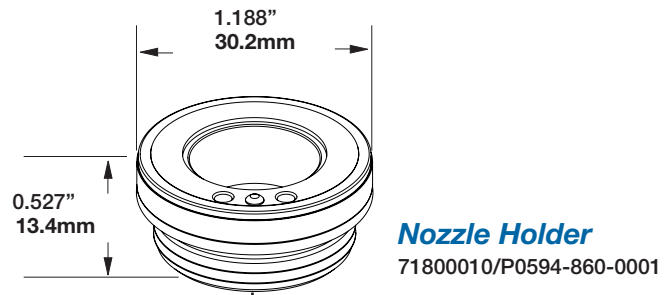
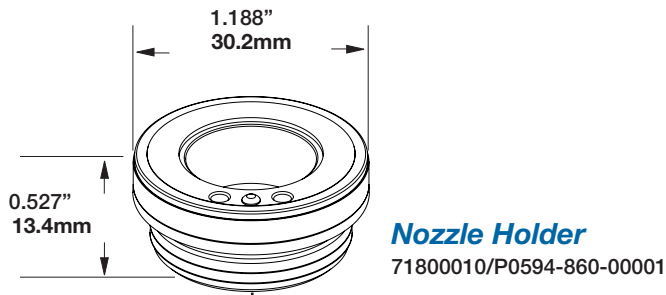
1300266	1.4mm LP
71341682-1.5	1.5mm
71341682-2.0	2.0mm
71341682	2.5mm
71341682-3.0	3.0mm
71341682-4.0	4.0mm

Nozzle Single WACS, Chrome

71366096	2.0mm
71298020	3.0mm

Outer Nozzle, Chrome

71341684



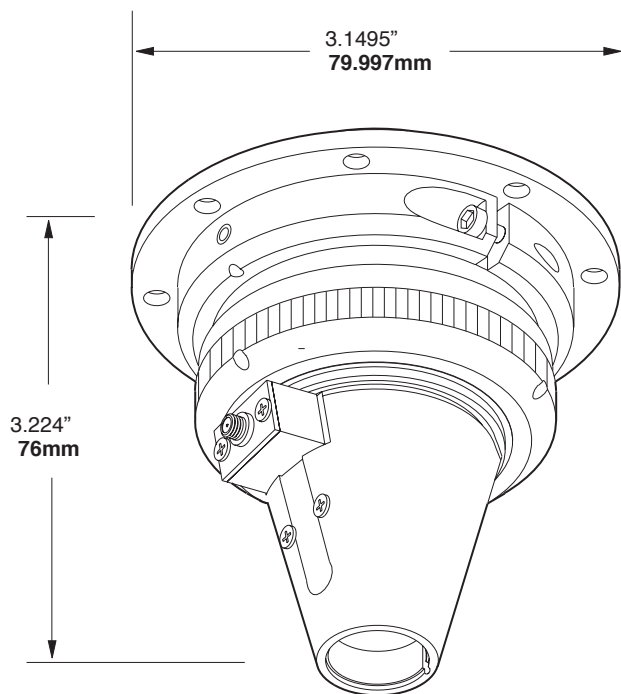
LASER

8

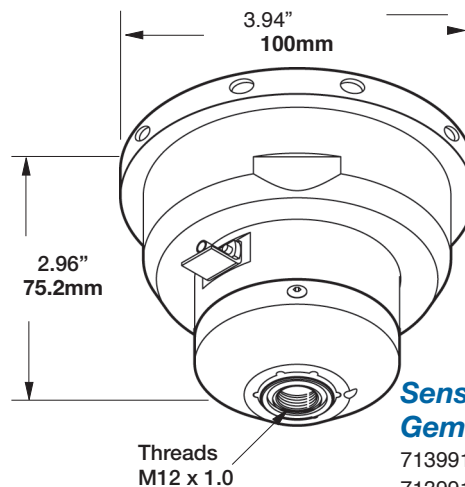
AMADA[®]

Sensor Heads

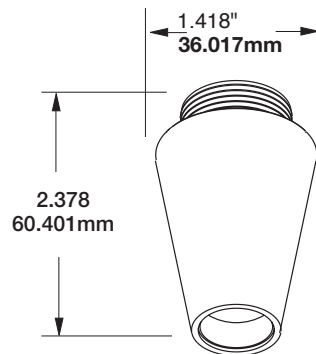
LASER



Sensor Head
71341634 5.0 HS-98

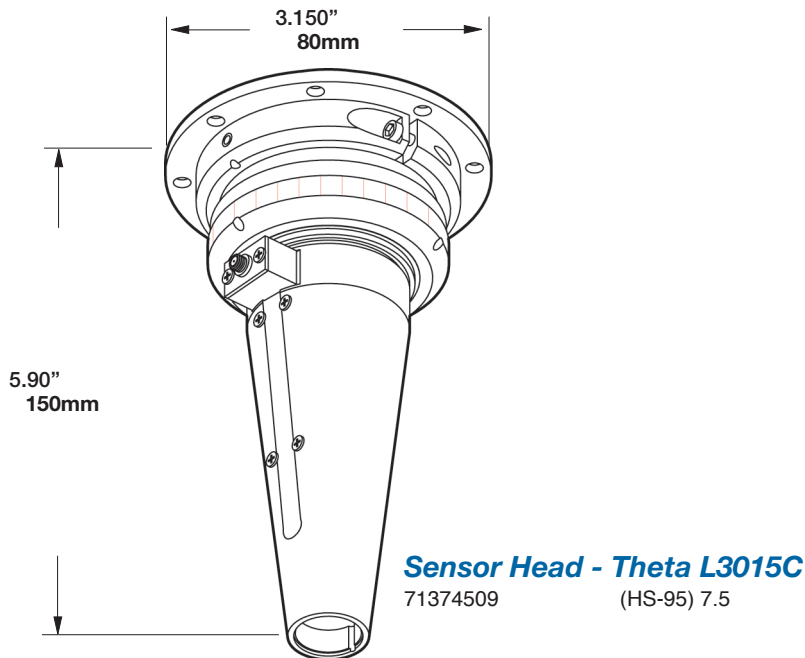
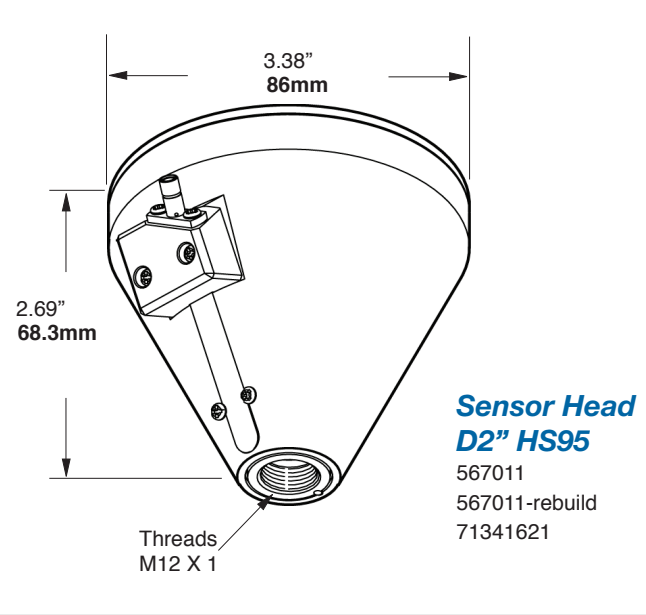
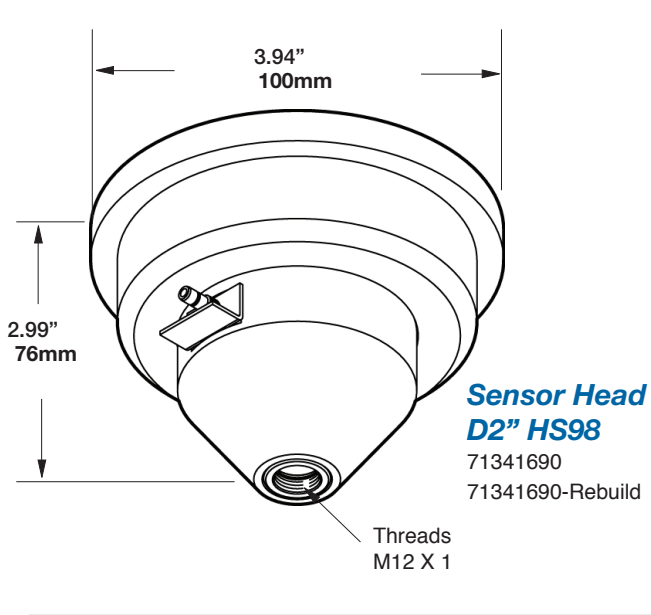


**Sensor Head (ECO)
Gemini**
71399107
71399107-Rebuild



Sensor Head
71341622

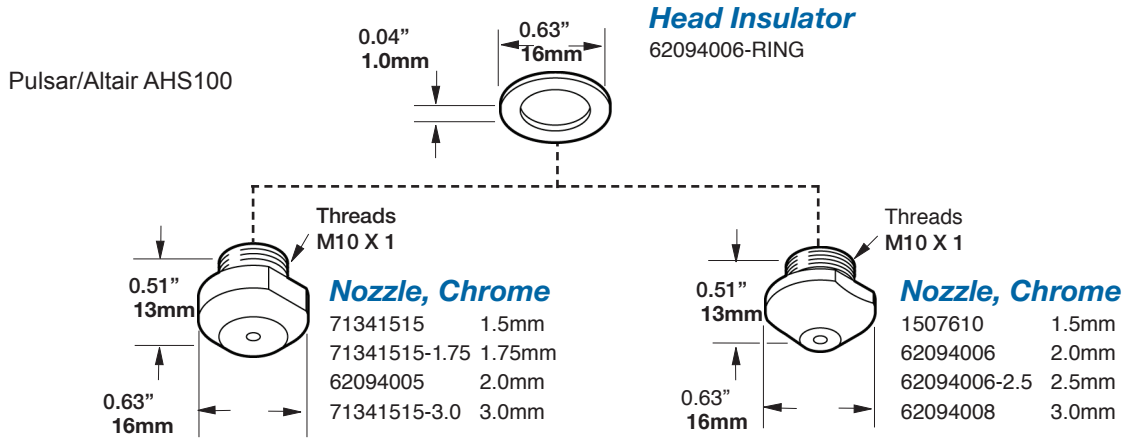
Sensor Heads



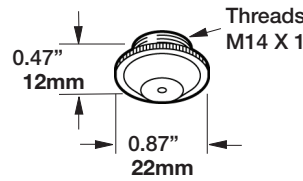
Parts Available but Not Shown	
71341630/71398965	Cable HS-95
71341690-6	O-Ring Kit for 71341690
71361393	Lens Gasket for 2" Mount
71512355	Lens Gasket for 2" Mount
71109613	Small Lens Gasket
71398293	Cable

LASER

10
AMADA[®]



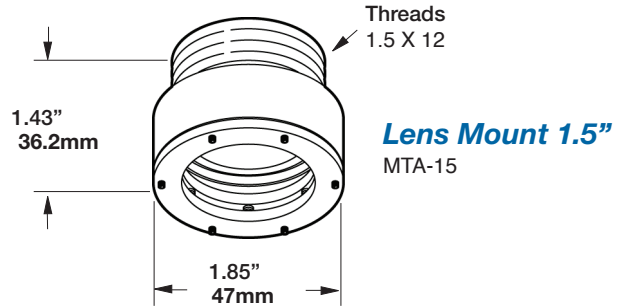
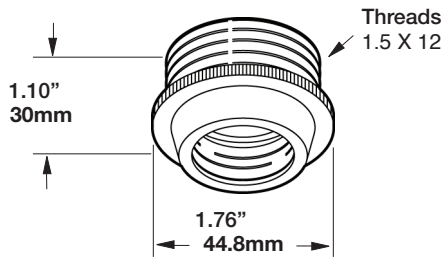
Cap. Nozzle
8249301 2.0mm



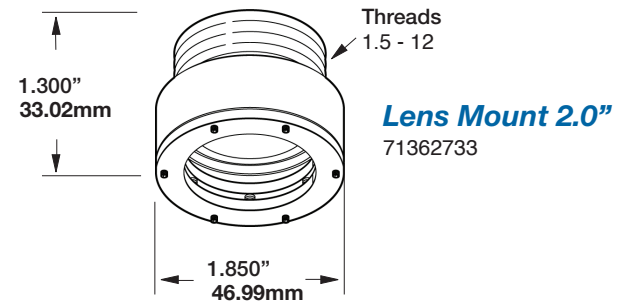
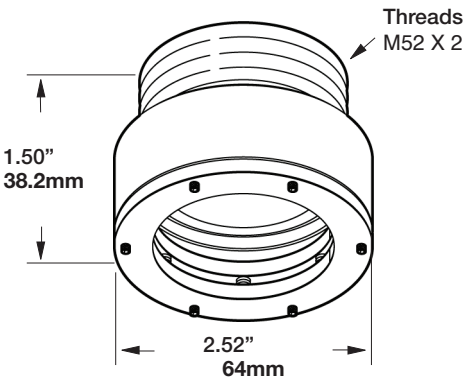
LASER

Lens Mounts

Lens Mount 1.1"
MTA-11



Lens Mount 2.0"
MTA-20



Parts Available but Not Shown

- 71501070 Focusing lens 7.5 focal length with mount
- 71501072 Focusing lens 5.0 Focal length with mount

OPTICS FOR AMADA® LASERS
Focusing Lenses

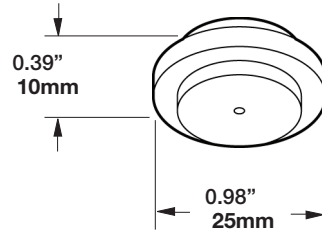
P/N	Lasertec P/N	Material	Diameter	Focal Length	Edge Thickness
81140186	ZC20750380	ZnSe	2.0"	7.5"	.390"
81140190	ZC11250160	ZnSe	1.1"	2.5"	.160"
81140221	ZC15375300	ZnSe	1.5"	3.75"	.300"
81140225	ZC11375160	ZnSe	1.1"	3.75"	.160"
81140305	ZC11500160	ZnSe	1.1"	5.0"	.160"
81140306	ZC15500300	ZnSe	1.5"	5.0"	.300"
81140307	ZC20500380	ZnSe	2.0"	5.0"	.380"
81140389	ZC11750160	ZnSe	1.1"	7.5"	.160"
81140400	ZC15750300	ZnSe	1.5"	7.5"	.300"

Protective Windows

P/N	Material	Diameter	Edge Thickness
71570026	FS	Octagonal	1.5mm
71571308	FS	45mm	8mm

12

BEHRENS[®]



Nozzle

L60	0.8mm
L51	1.0mm
L52	1.2mm
L53	1.5mm
L53-2.0	2.0mm

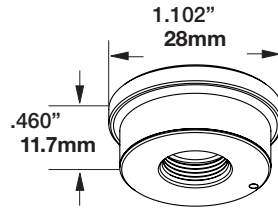
LASER

Nozzle

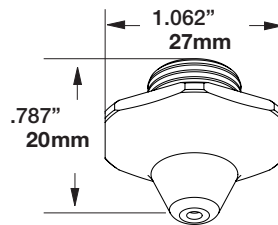
- 6930250845 1.0mm
- 6930250846 1.2mm
- 6930250847 1.5mm
- 6930250848 1.8mm
- 6930250849 2.0mm
- 6930250850 2.3mm
- 6930250851 2.5mm
- 6930250852 3.0mm
- 6930250853 3.5mm
- 6930250854 4.0mm

Nozzle - Chrome

- 6930250800 1.0mm
- 6930250801 1.2mm
- 6930250802 1.5mm
- 6930250803 1.8mm
- 6930250804 2.0mm
- 6930250805 2.3mm
- 6930250806 2.5mm
- 6930250807 3.0mm
- 6930250808 3.5mm
- 6930250809 4.0mm



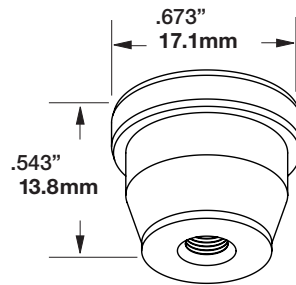
Nozzle Holder
6930003224



Double Nozzle - Chrome

- 6930250810 1.0mm
- 6930250811 1.2mm
- 6930250812 1.5mm
- 6930250813 1.8mm
- 6930250814 2.0mm
- 6930250815 2.3mm
- 6930250816 2.5mm
- 6930250817 3.0mm
- 6930250818 3.5mm

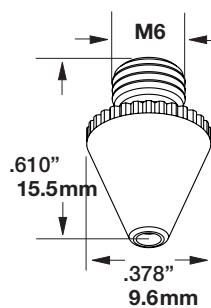
LASER



Nozzle Holder
PO494-752-00001

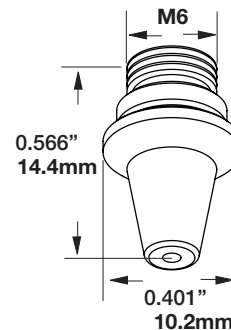
Double Nozzle

- 6930250857 1.0mm
- 6930250858 1.2mm
- 6930250837 1.5mm
- 6930250859 1.8mm
- 6930250838 2.0mm
- 6930250860 2.5mm
- 6930250861 3.0mm



Nozzle

- 6930250031 1.0mm
- 6930250032 1.2mm
- 6930250033 1.5mm
- 6930250034 1.8mm
- 6930250035 2.0mm
- 6930250043 2.3mm
- 6930250036 2.5mm
- 6930250044 3.0mm



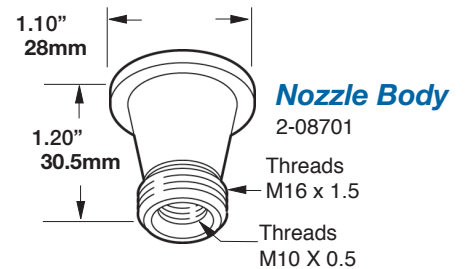
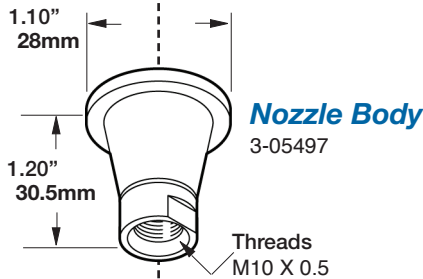
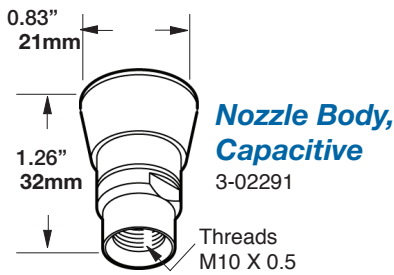
Nozzle

- 455054 1.0mm
- 455044 1.2mm
- 455034 1.5mm
- 455024 1.8mm
- 455014 2.0mm
- C50762A 2.5mm

BYSTRONIC[®] - FIBER

Bystar/Bysprint

LASER

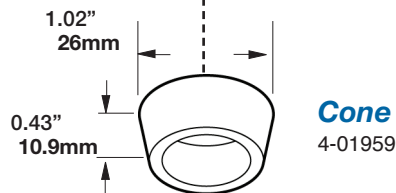


Nozzle Low Pressure, Capacitive

*3-04273	0.8mm	K08
3-01905	1.0mm	K10
3-01906	1.25mm	K12
3-01907	1.5mm	K15
3-01908	1.75mm	K17
3-01909	2.0mm	K20
3-04274	2.5mm	K25

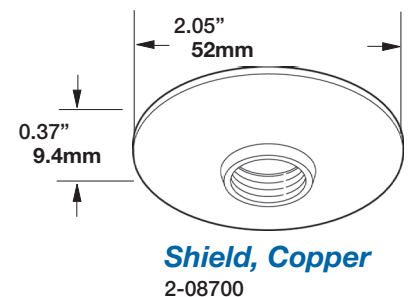
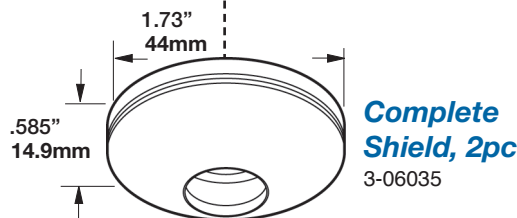
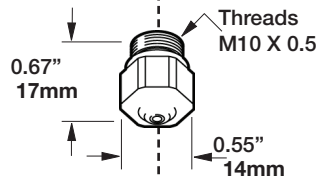
Nozzle High Pressure, Capacitive

3-04277	0.8mm	HK08
3-01910	1.0mm	HK10
3-01911	1.25mm	HK12
3-01912	1.5mm	HK15
3-01913	1.75mm	HK17
3-01914	2.0mm	HK20
3-01915	2.5mm	HK25
3-06112	3.0mm	HK30
3-06112-3.5	3.5mm	HK35

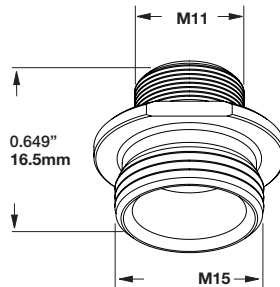


Nozzle, Double - Chrome

Part #	Size	
3-01658	1.0mm	NK10
3-16059	1.25mm	NK12
3-16060	1.5mm	NK15
3-14317	1.75mm	NK17
3-14318	2.0mm	NK20
3-14319	2.5mm	NK25
3-16061	3.0mm	NK30



* Available as a shower nozzle (3-04273-S)

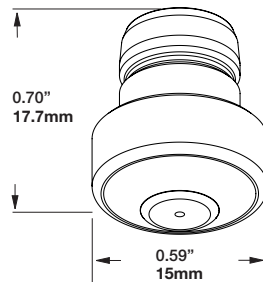


Breakaway

10075057

Quick Release Nozzle

Part #	Size	
10035266	1.0mm	HK10
10035267	1.2mm	HK12
10035268	1.5mm	HK15
10035269	1.7mm	HK17
10035270	2.0mm	HK20
10035271	2.5mm	HK25
10035272	3.0mm	HK30
10049744	3.5mm	HK35



Quick Release Double Nozzle

Part #	Size	
10049747	1.0mm Double	NK1015
10035275	1.2mm Double	NK1215
10035278	1.5mm Double	NK1515
10035290	1.7mm Double	NK1715
10035292	2.0mm Double	NK2015
10035294	2.5mm Double	NK2515
10035296	2.5mm Double W/ 2.0 Inner	NK2520
10035298	3.0mm Double W/ 1.7 Inner	NK3017
10035301	3.0mm Double	NK3020
10035302	3.5mm Double	NK3530

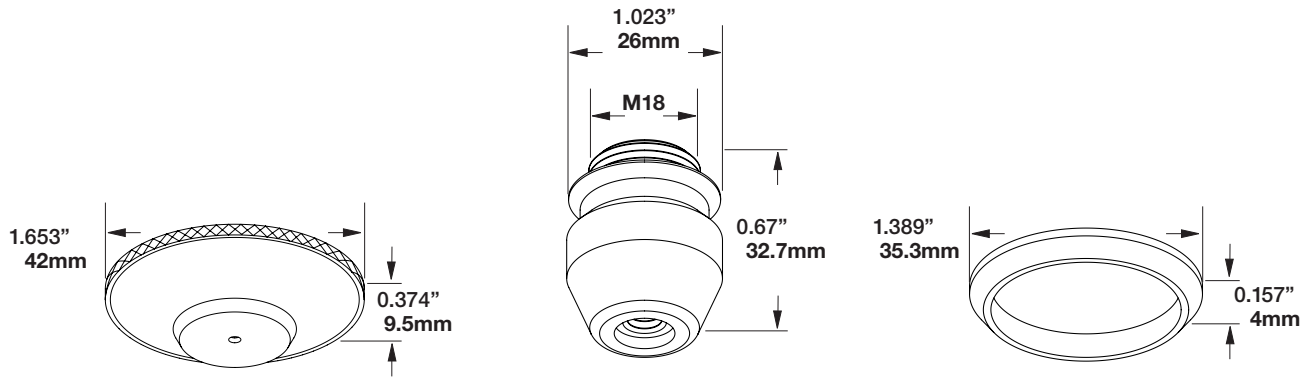
LASER

Parts Available but Not Shown

Part #	Description	Size
10045746	Fused Silica Protective Window	36.0mm x 5.0mm

16

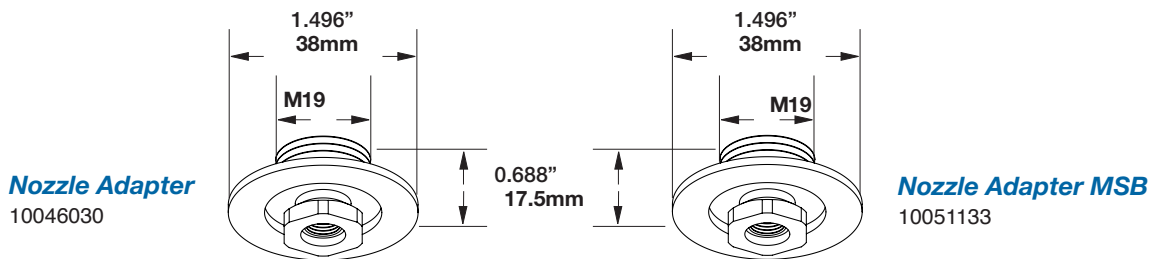
BYSTRONIC[®]



CL Nut
BY310-0398

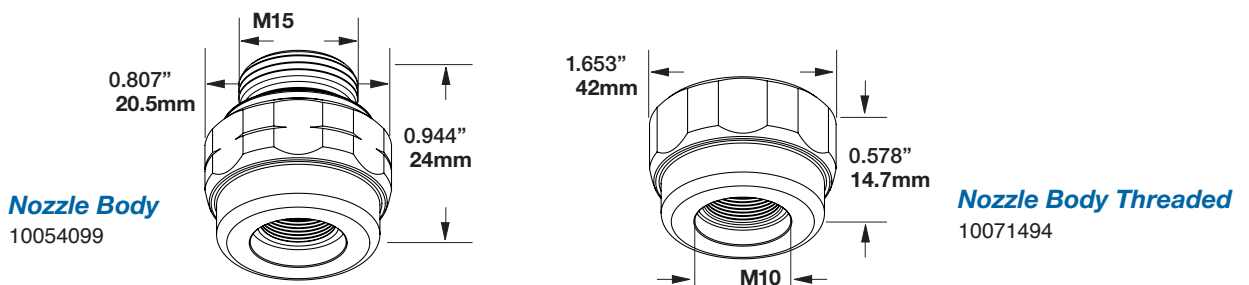
Nozzle Holder
10034061

Isolator Ring, ceramic
10046025



Nozzle Adapter
10046030

Nozzle Adapter MSB
10051133



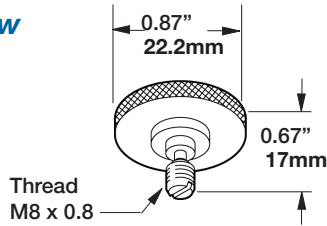
Nozzle Body
10054099

Nozzle Body Threaded
10071494

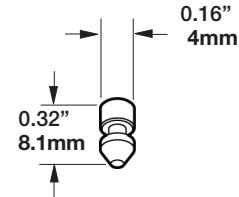
LASER

Byspeed and Spare Parts

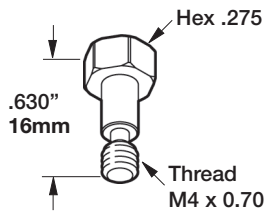
Knurled Screw
4-03136



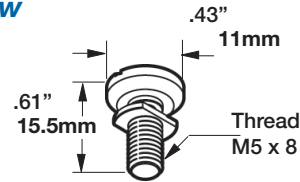
Pin
4-03137



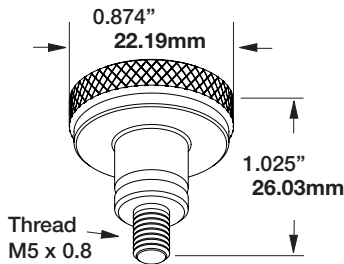
Knurled Screw
4-00324



Knurled Screw
3-09001

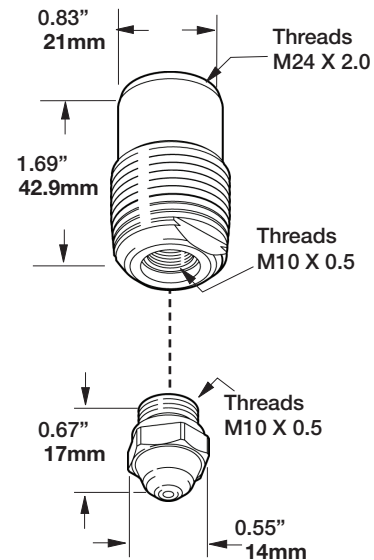


Knurled Screw
4-04976

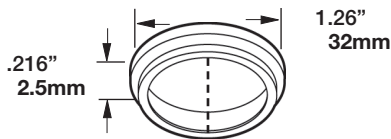


Nozzle Body
3-00407

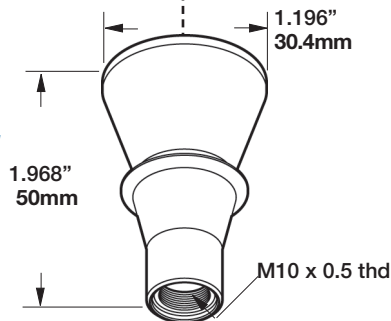
Tactile



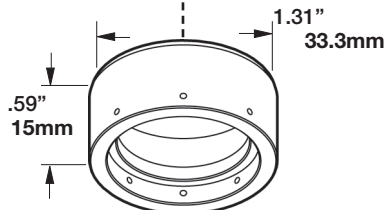
Insulating Ring
3-13113



Nozzle Body - Byspeed
2-10837



Insulating Ring
3-13422



Nozzle Low Pressure

3-04271	0.8mm	08
3-01894	1.0mm	10
3-01895	1.25mm	12
3-01896	1.5mm	15
3-01897	1.75mm	17
3-01898	2.0mm	20
3-04272	2.5mm	25

Nozzle High Pressure

3-04275	0.8mm	H08
3-01899	1.0mm	H10
3-01900	1.25mm	H12
3-01901	1.5mm	H15
3-01902	1.75mm	H17
3-01903	2.0mm	H20
3-04276	2.5mm	H25

LASER

American Torch Tip Company is in no way affiliated with the above-named original equipment manufacturer(s) ("OEM"). References to the above-named machines, torches, and numbers are for your reference only. Most parts advertised for sale are made by or for American Torch Tip, and other parts as indicated, are original parts manufactured by above-named OEM and are simply being re-sold by American Torch Tip. Footnotes: * = OEM; # = American Torch Tip is licensed to make and sell this part by named manufacturer; ATTC and ATT suffix = This part is an original American Torch Tip design and is not manufactured identical to the OEM design; © indicates a registered trademark, trade name, or product name of the above-named company. PHD®, PHDX™, Lightning®, Waltec™, Integra™, Lasertec Laser Division of American Torch Tip®, Multi-Use™ and ProMix™ are trademarks owned by American Torch Tip Company. © Copyright 2021, American Torch Tip Company.

18

BYSTRONIC®

OPTICS FOR BYSTRONIC® LASERS

Focusing Lenses

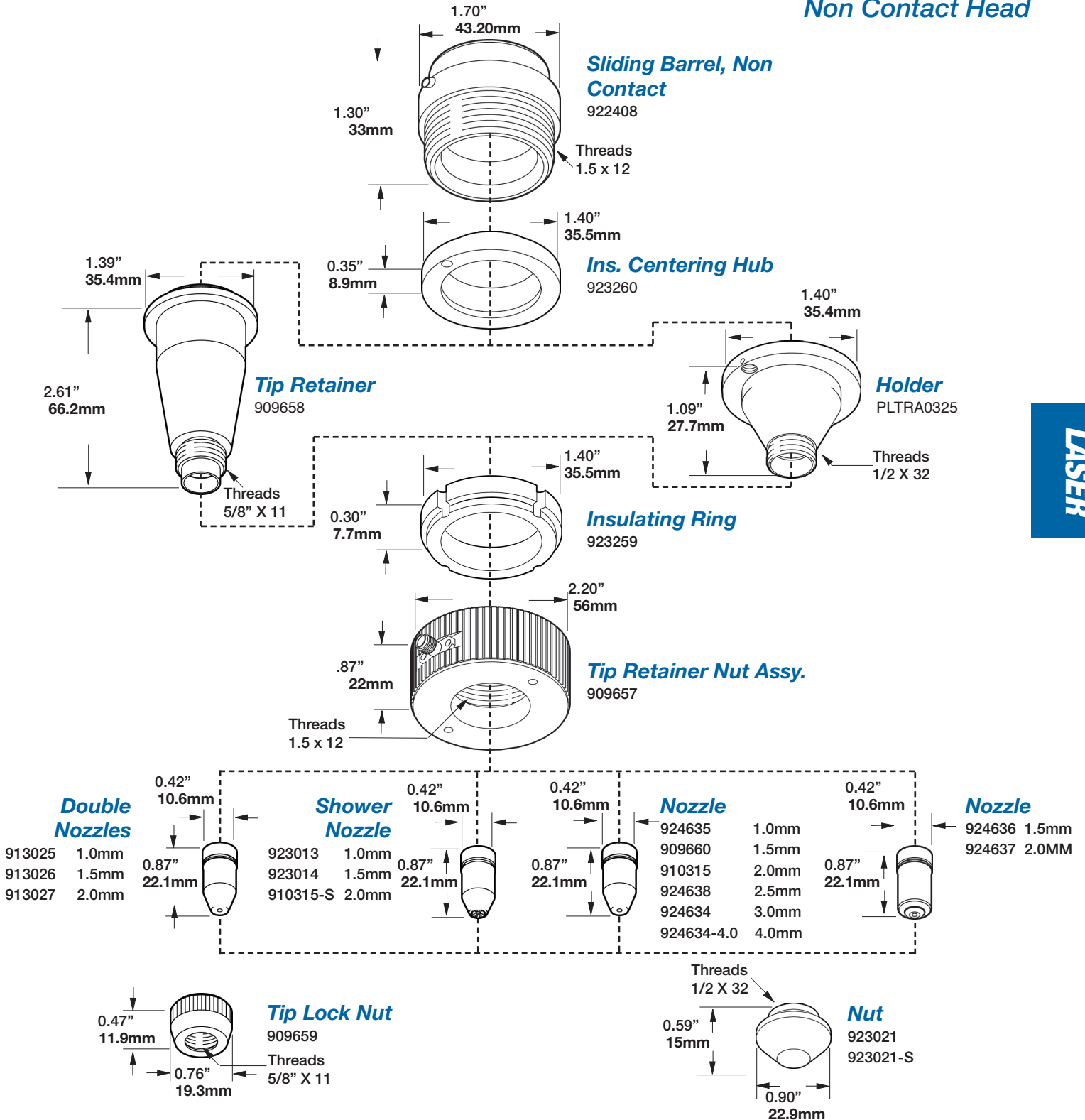
P/N	Lasertec P/N	Material	Diameter	Focal Length	Edge Thickness
4-00184	ZM15250236	ZnSe	1.5"	2.5"	.236"
4-00185	ZM15375236	ZnSe	1.5"	3.75"	.236"
4-00186	ZM15500236	ZnSe	1.5"	5.0"	.236"
4-00187	ZM15750236	ZnSe	1.5"	7.5"	.236"
4-05094	ZM15500350	ZnSe	1.5"	5.0"	.354"
4-05095	ZM15750350	ZnSe	1.5"	7.5"	.354"

Protective Windows

P/N	Material	Diameter	Edge Thickness
10045746	FS	36mm	5mm

LASER

Non Contact Head

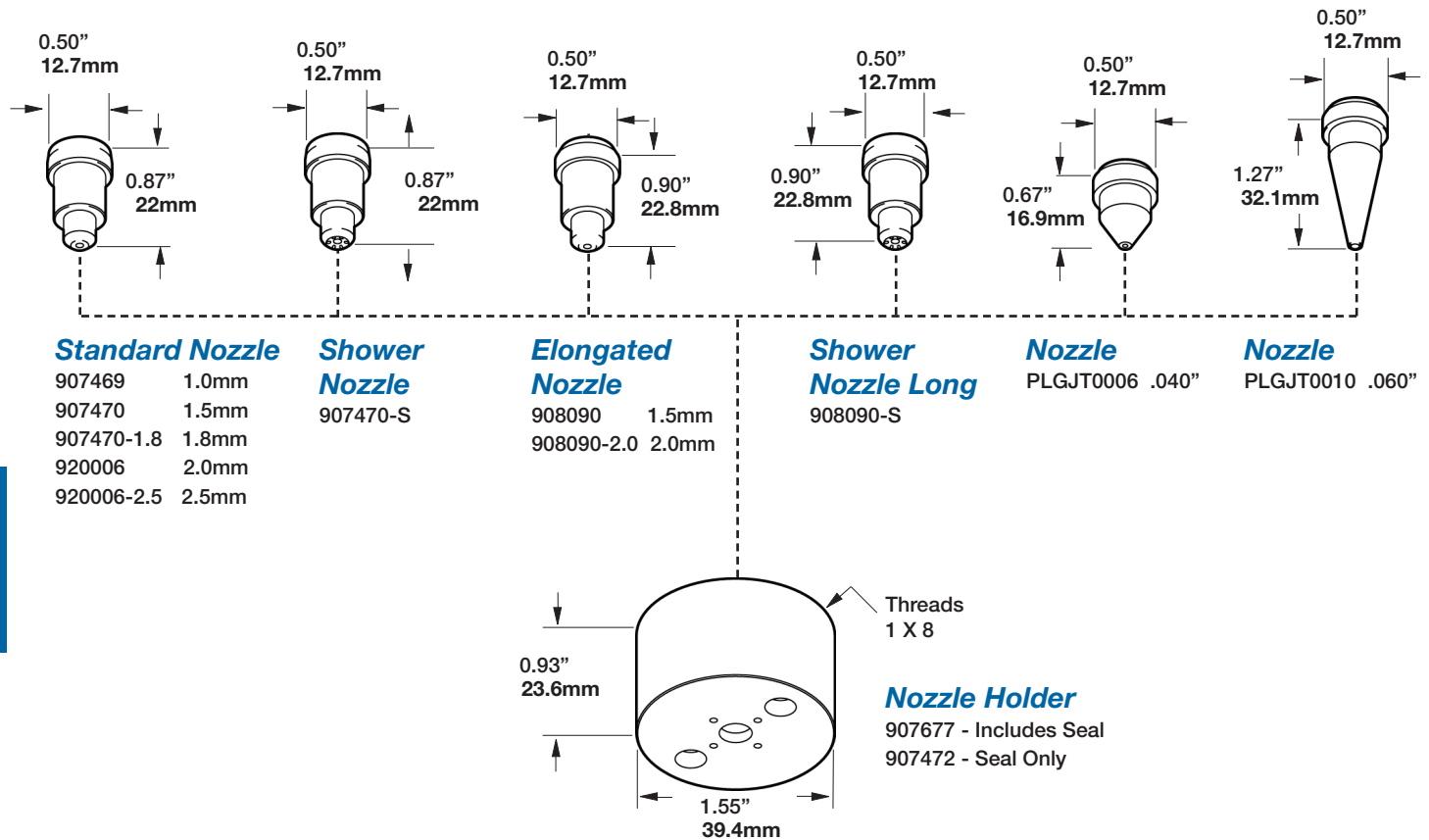


LASER

American Torch Tip Company is in no way affiliated with the above-named original equipment manufacturer(s) ("OEM"). References to the above-named machines, torches, and numbers are for your reference only. Most parts advertised for sale are made by or for American Torch Tip, and other parts as indicated, are original parts manufactured by above-named OEM and are simply being re-sold by American Torch Tip. Footnotes: * = OEM; # = American Torch Tip is licensed to make and sell this part by named manufacturer; ATTC and ATT suffix = This part is an original American Torch Tip design and is not manufactured identical to the OEM design; © indicates a registered trademark, trade name, or product name of the above-named company. PHD®, PHDX™, Lightning®, Waltec™, Integra™, Lasertec Laser Division of American Torch Tip®, Multi-Use™ and ProMix™ are trademarks owned by American Torch Tip Company. © Copyright 2021, American Torch Tip Company.

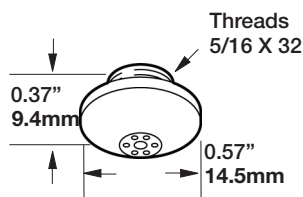
20
CINCINNATI[®]

Contact Head

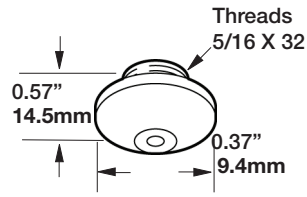


LASER

CINCINNATI[®]
Non Contact



Shower Nozzle
922772



Nozzle
922464 .060"
922465 .080"
922770 .100"

OPTICS FOR CINCINNATI® LASERS

Focusing Lenses

P/N	Lasertec P/N	Material	Diameter	Focal Length	Edge Thickness
907557	ZC155018160	ZnSe	1.5"	5.018"	.160"
908085	ZC15513280	ZnSe	1.5"	5.18"	.280"
909484	ZC15763280	ZnSe	1.5"	7.63"	.280"
922376	ZC20769380	ZnSe	2.0"	7.69"	.380"
922377	ZC20519380	ZnSe	2.0"	5.19"	.380"

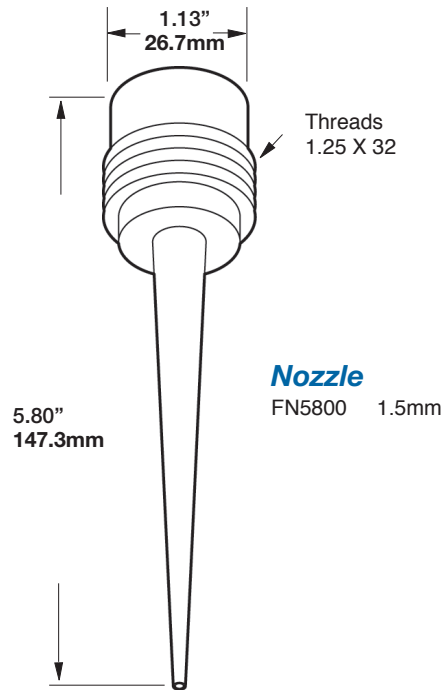
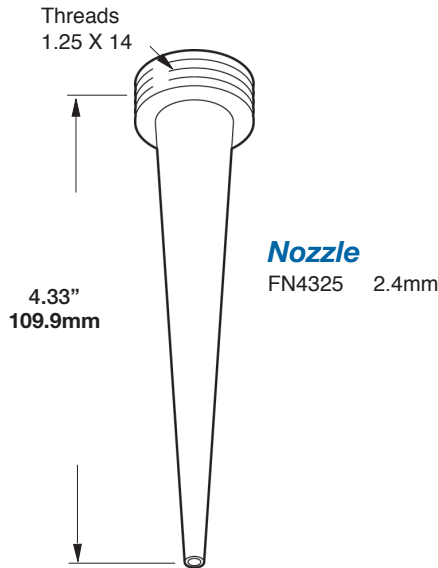
Protective Windows

P/N	Material	Diameter	Edge Thickness
913987	FS	38.1mm	1.6mm



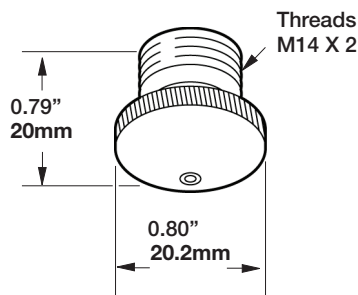
DIRECTED LIGHT[®] / ELECTROX

DIRECTED LIGHT[®]

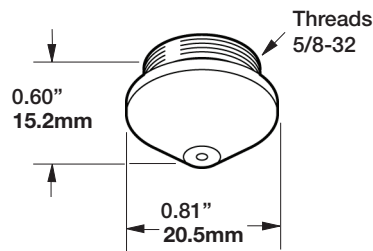


LASER

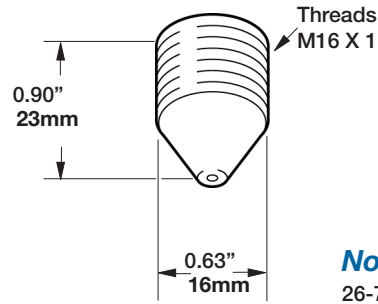
ELECTROX



Nozzle
ELE-AL 1.5 1.5mm



Nozzle
SPA01-B0001 1.0mm
SPA01-B0002 1.2mm
SPA01-B0003 1.5mm
SPA01-B0004 2.0mm
SPA01-B0031 2.5mm

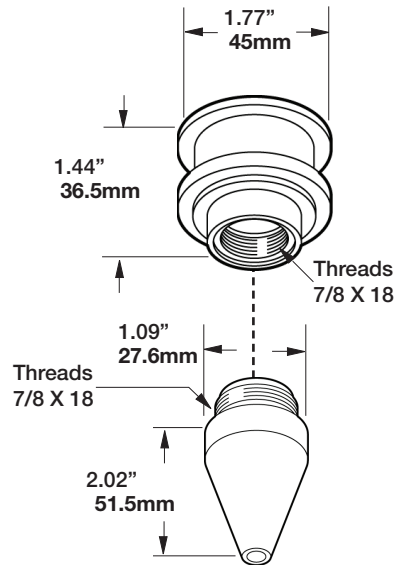


Nozzle
26-71270-60 1.5mm

24

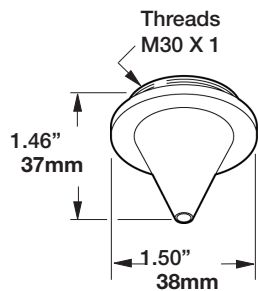
GREMADA[®]

LASER

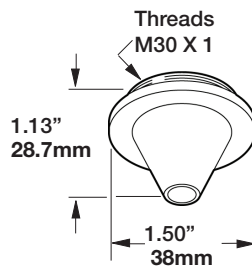


Adapter
100.703.4

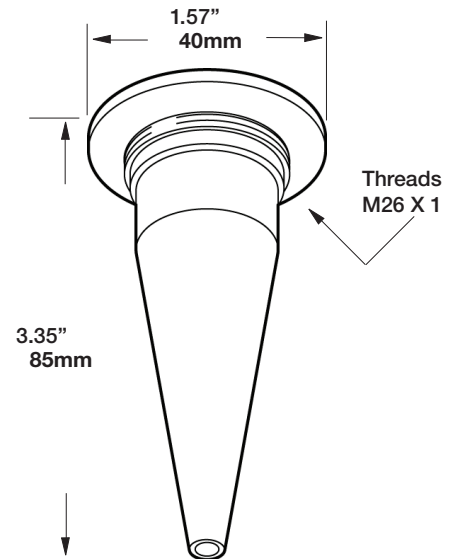
Adapter Tip
100.703.3 5mm



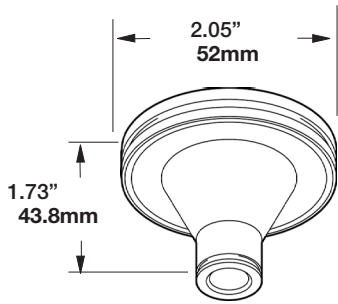
Powder Cone
100.703.2-2.5 2.5mm



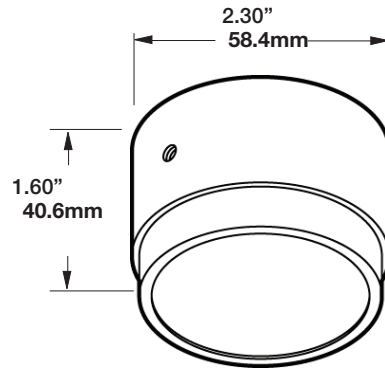
Nozzle
100.703.2 7.4mm



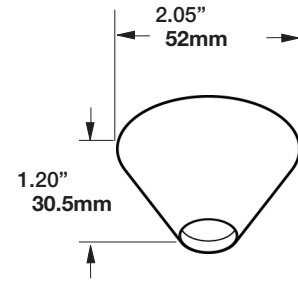
Beam Cone
100.703.5



Housing, Main Body
216-20720

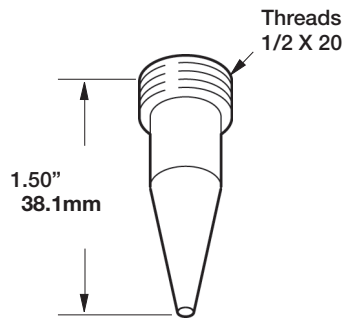


Housing Cover
216-20718

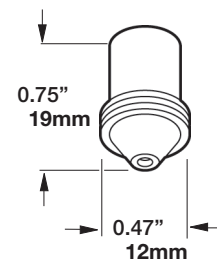


Housing, Water
216-20717

LASER



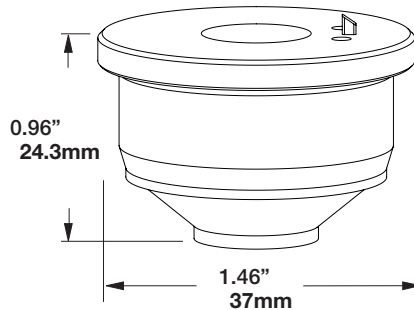
Nozzle, Inner
216-20719



Nozzle, Outer
216-20722 .080

Parts Available but Not Shown

- 216-20815 Nozzle, Outer Cladding
- 216-10606 Cladding Nozzle Assembly



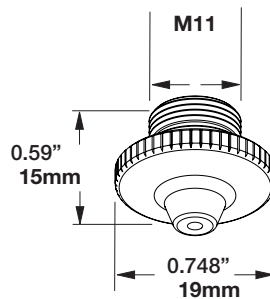
Nozzle Holder ceramic

HCH-S01201

LASER

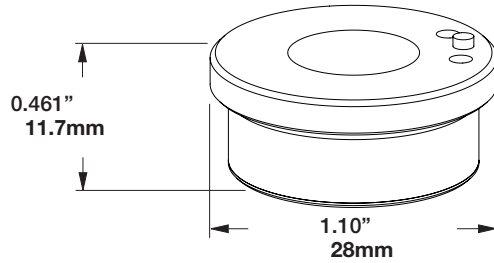
Nozzle N

MX-0989	1.0mm
MX-0990	1.2mm
MX-0991	1.5mm
MX-0993	1.5mm
MX-0992	2.0mm
MX-0994	2.5mm
MX-0995	3.0mm

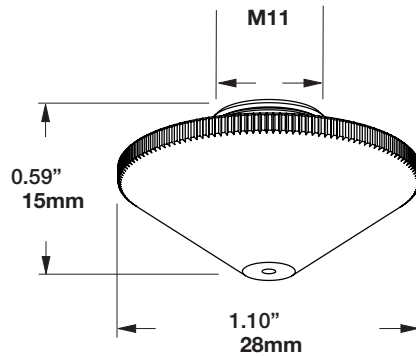


Nozzle Double N

HCH-TP1515	1.5mm
HCH-TP1520	2.0mm
HCH-TP1525	2.5mm
HCH-TP2030	3.0mm



Nozzle Holder ceramic
MX-0875



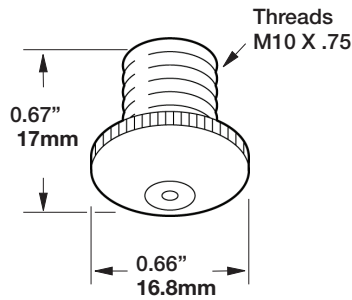
Nozzle HD

P0591-571-00010 / MX-0860	1.0mm
P0591-572-00012 / MX-0861	1.2mm
P0591-573-00015 / MX-0862	1.5mm
P0591-574-00018 / MX-0863	1.8mm
P0591-575-00020 / MX-0864	2.0mm
P0591-576-00025 / MX-0865	2.5mm

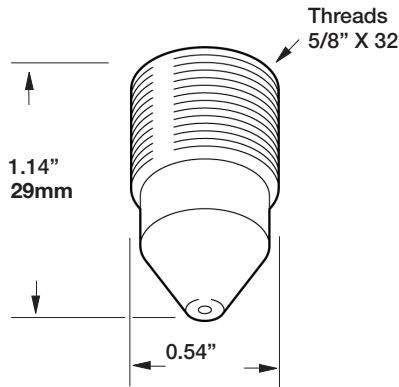
Nozzle Double

P0591-002-00010	1.0mm/inner	1.5mm
P0591-002-00012	1.2mm/inner	1.5mm
P0591-002-00015 / H03019	1.5mm/inner	1.5mm
P0591-002-00018 / H03021	1.8mm/inner	1.5mm
P0591-002-00020 / H03014	2.0mm/inner	1.5mm
P0591-002-00023 / H03017	2.5mm/inner	1.5mm
P0591-002-00025 / H03023	3.0mm/inner	1.5mm

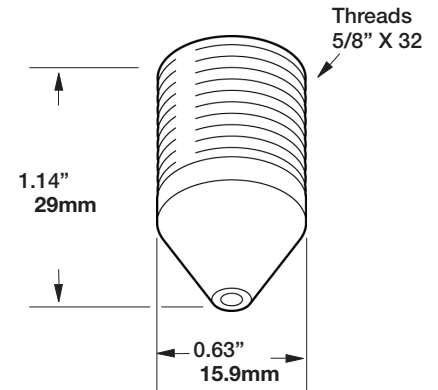
KOMATSU[®]



Nozzle
968-41-93-761 1.7mm



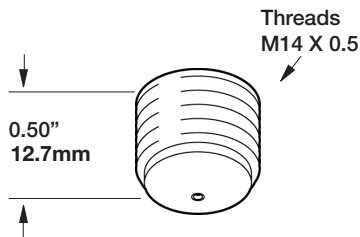
Nozzle Standard
968-41-57-812 1.4mm
968-41-57-812-1.6 1.6mm



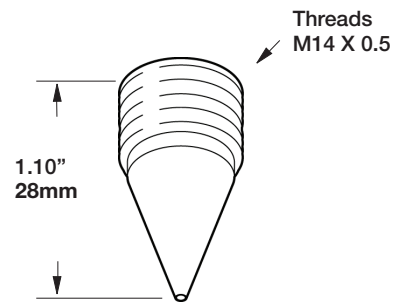
Nozzle Special
968-41-57-850 2.0mm

LASER

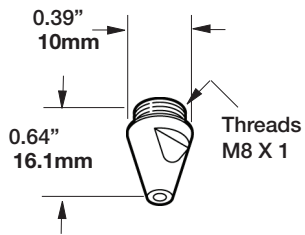
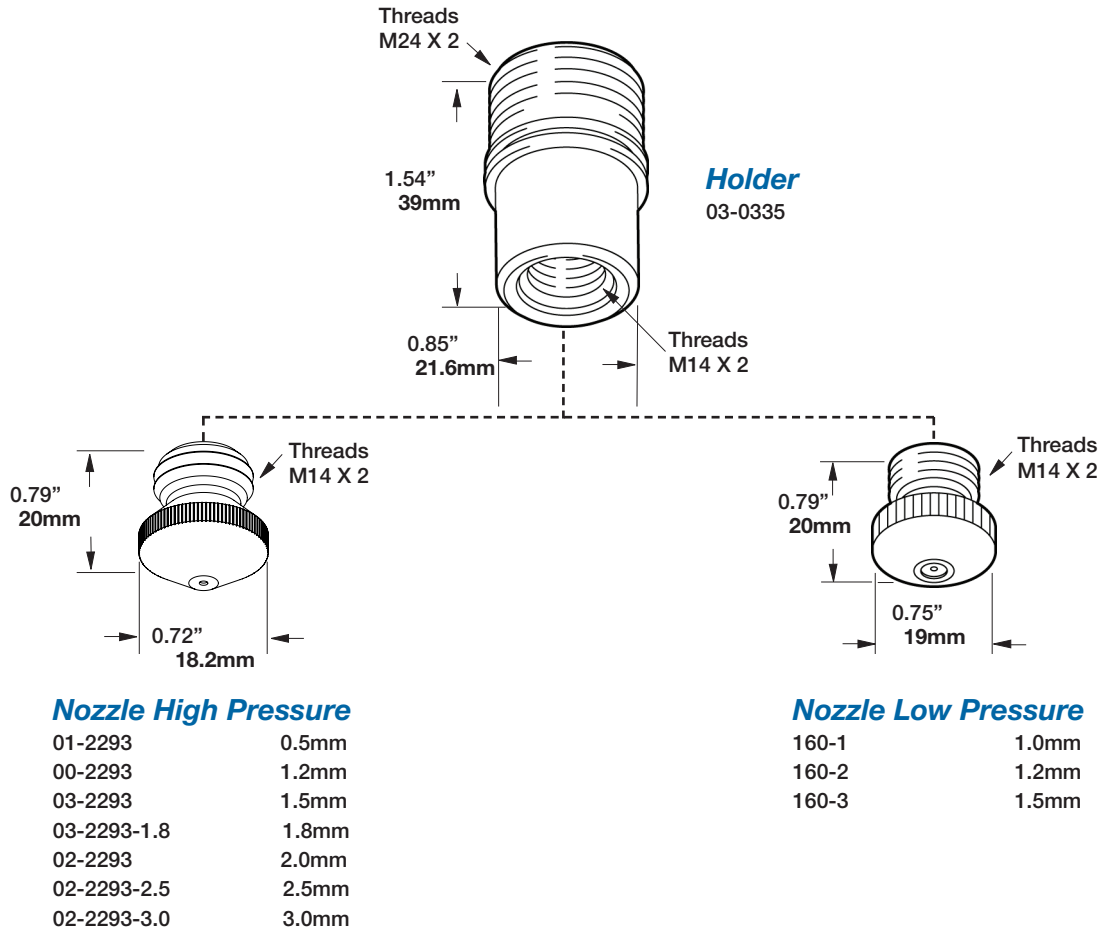
LASAG[®]



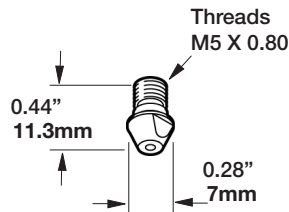
Nozzle Short
LASAG.SHORT 1.0mm



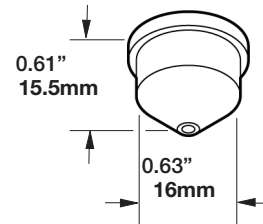
Nozzle Long
LASAG.LONG 1.0mm



Nozzle
03-0916 2.0mm

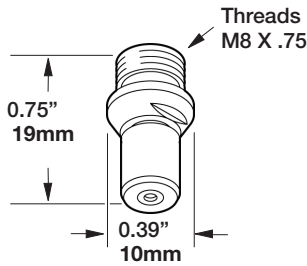


Nozzle
03-8358 1.5mm



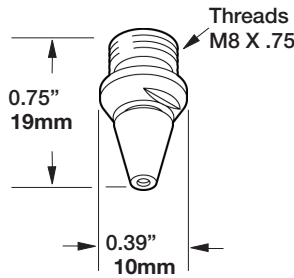
Nozzle

03-210T	1.0mm
03-8720	1.2mm
03-214T	1.4mm
03-215T	1.5mm
03-217T	1.7mm
03-8729	2.0mm
03-224T	2.4mm
03-225T	2.5mm
03-230T	3.0mm



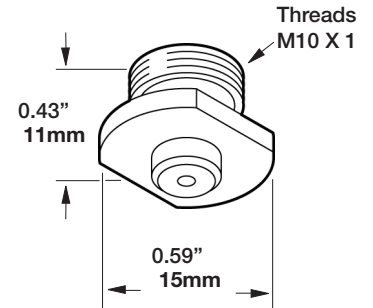
Nozzle

- 485.73.421 / 485.73.114C 1.5mm
- 485.73.422 / LW3.46.101A 2.0mm
- 485.73.423 2.5mm
- 485.73.424 3.0mm



Nozzle Tapered

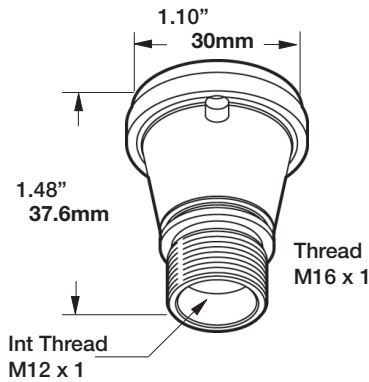
- 485.73.115A 1.5mm
- 485.73.116A 2.0mm



Nozzle

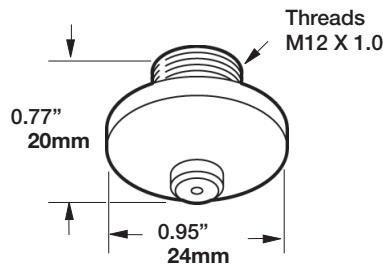
- 710.11.153 1.0mm
- 710.11.150 1.5mm
- 710.11.152 2.0mm
- 710.11.155 2.5mm
- 710.11.156 3.0mm

LASER



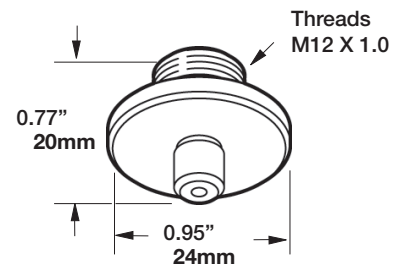
Ceramic Nozzle Holder Assy.

LW6.59.130A



Nozzle

- LW6.1E.111 1.5mm
- LW6.1E.111-1.75 1.75mm
- LW6.1E.112 2.0mm
- LW6.1E.113 2.5mm
- LW6.1E.114 3.0mm



Nozzle

- LW6.1G.600 1.5mm
- LW6.1G.601 2.0mm
- LW6.1G.602 2.5mm
- LW6.1G.603 3.0mm

OPTICS FOR LASERDYNE® / PRIMA® LASERS

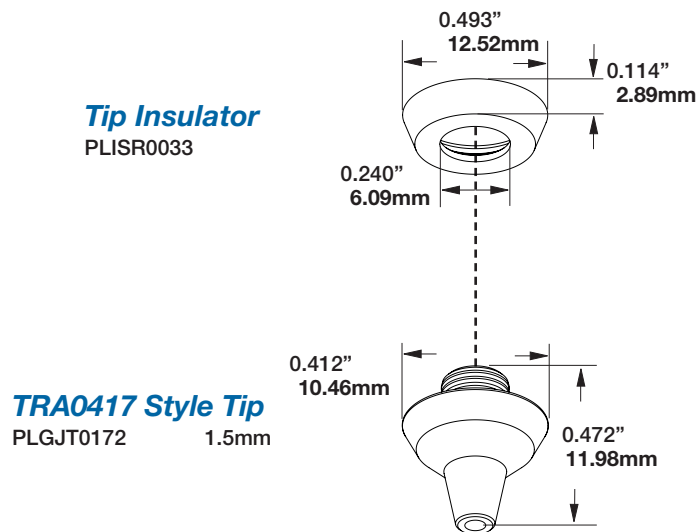
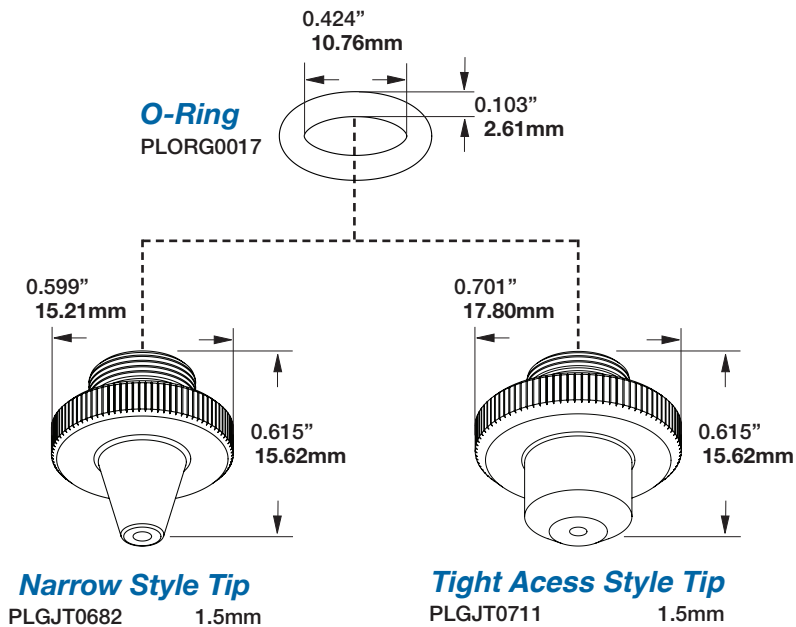
Focusing Lens

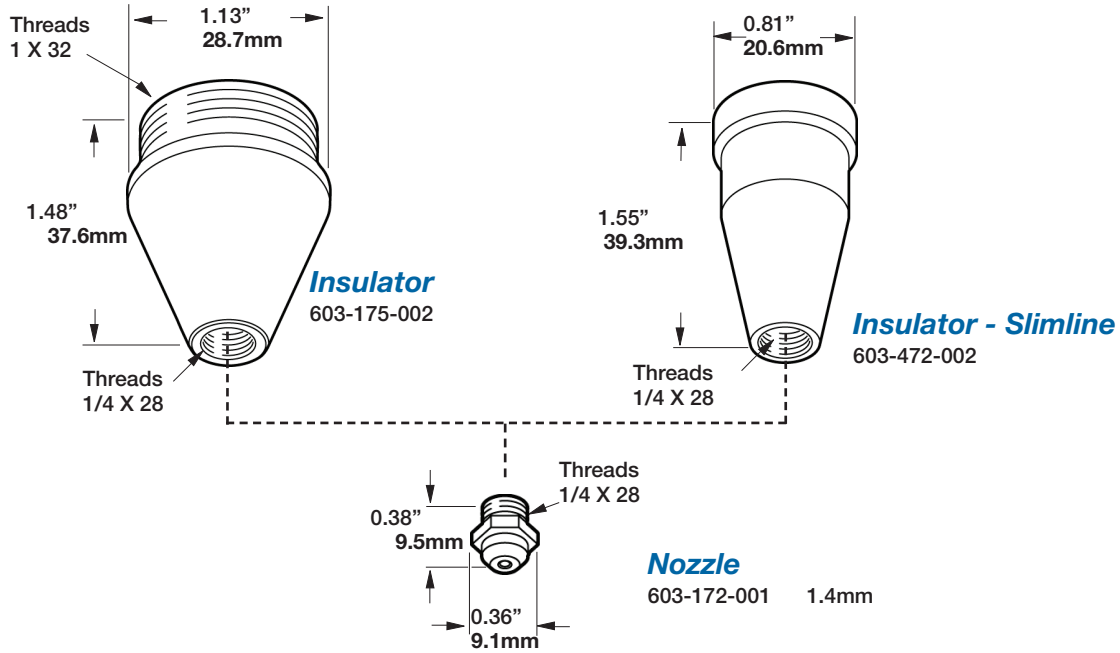
P/N	Lasertec P/N	Material	Diameter	Focal Length	Edge Thickness
834-319-001	ZC15250236	ZnSe	1.5"	2.5"	.236"
834-319-002	ZC15500236	ZnSe	1.5"	5.0"	.236"
834-319-003	ZC15750236	ZnSe	1.5"	7.5"	.236"
834-319-004	ZC15100236	ZnSe	1.5"	1.0"	.236"
834-319-009	ZC15375236	ZnSe	1.5"	3.75"	.236"
834-319-010	ZM15375236	ZnSe	1.5"	3.75"	.236"
834-319-011	ZC15500300	ZnSe	1.5"	5.0"	.300"
834-319-012	ZC15750300	ZnSe	1.5"	7.5"	.300"



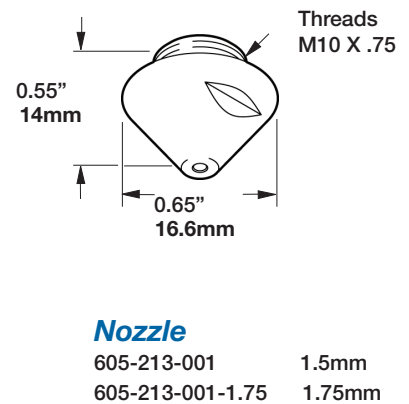
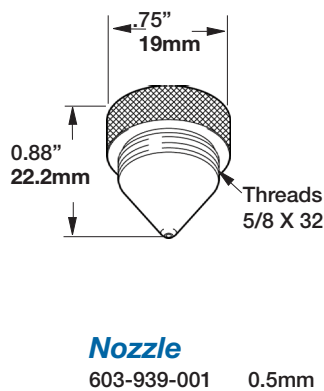
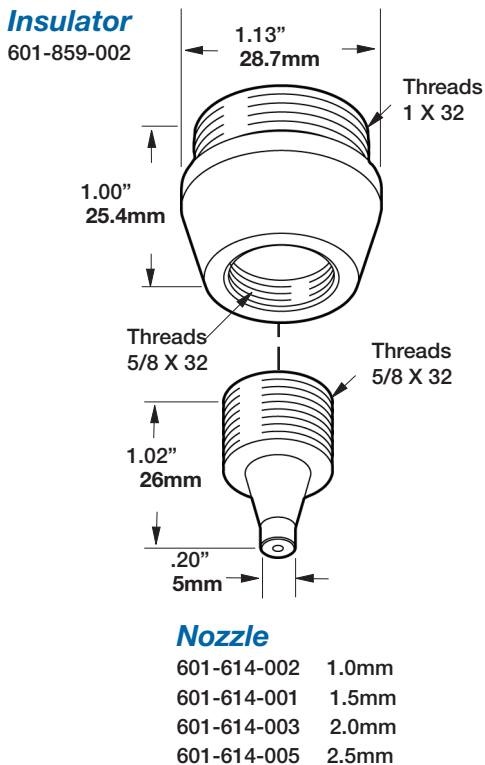
FiberCut™ ST

LASER





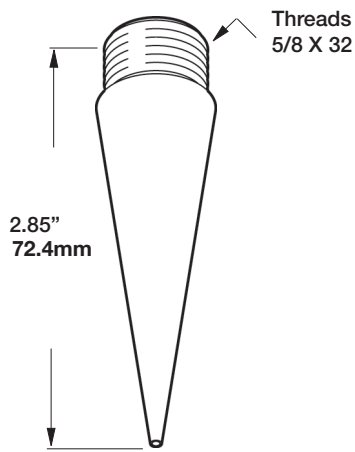
LASER



34

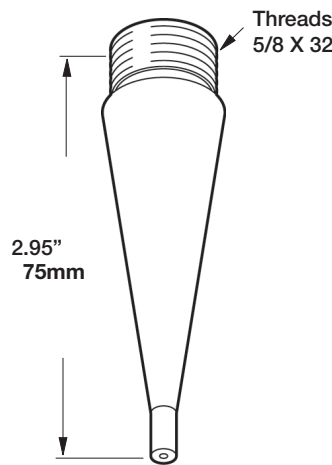
LUMONICS / MAZAK[®]

LUMONICS



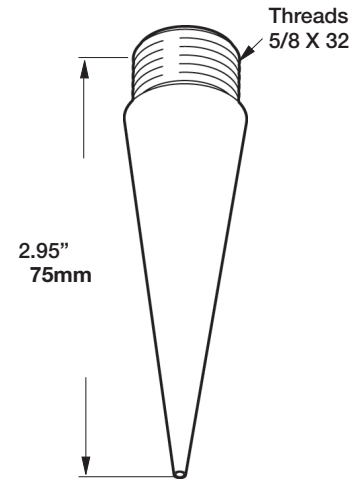
Nozzle

603-271-003 1.5mm
603-271-005



Nozzle

603-271-002 1.2mm
603-271-002-1.5S 1.5mm
603-271-002-2.0 2.0mm



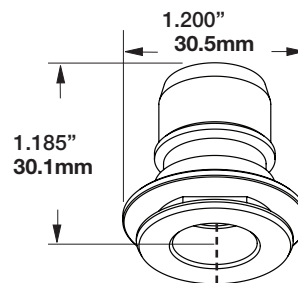
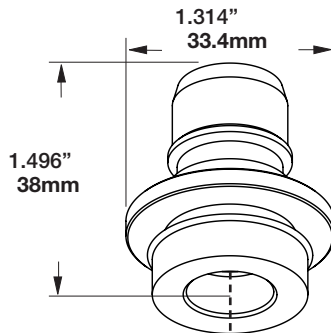
Nozzle

603-271-001 1.2mm
603-271-001-2.8 2.8mm

LASER

MAZAK[®]

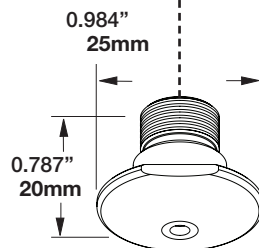
Nozzle Holder
36143310740



**Nozzle Holder
Hyper Gear**
36143304420

Nozzle

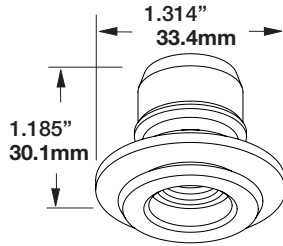
46143304470 1.2mm
46143304450 1.5mm
46143304460 2.0mm
46143304480 2.5mm
46143304490 3.0mm
46143304500 3.5mm
46143304510 4.0mm



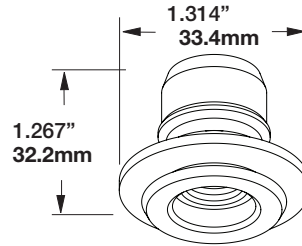
Double Nozzle

46143306450 1.5mm
46143306460 2.0mm
46143306480 2.5mm
46143306490 3.0mm
46143306500 3.5mm
46143306510 4.0mm

Nozzle Holder
36143310522

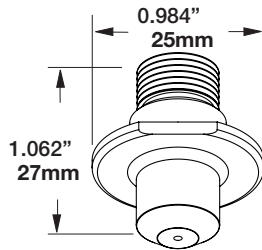


Nozzle Holder
36143310523



Nozzle Pencil

- 36143312220 1.2mm
- 36143312230 1.5mm
- 36143312240 2.0mm
- 36143312250 2.5mm
- 36143312260 3.0mm
- 36143312270 3.5mm
- 36143312280 4.0mm

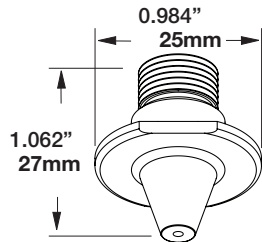


Nozzle Double Pencil

- | | |
|-------------------|-------------------------------|
| 36143312300 1.5mm | 06283301050 4.5mm/inner 1.2mm |
| 36143312310 1.8mm | 06283301200 5.0mm/inner 1.2mm |
| 36143312311 2.0mm | 06283301210 5.5mm/inner 1.2mm |
| 36143312320 2.5mm | 06283301840 5.5mm/inner 2.0mm |
| 36143312330 3.0mm | 06283302110 7.0mm/inner 1.8mm |
| 36143312340 3.5mm | Q6143300020 SUS 3.5mm |
| 36143312350 4.0mm | Q6143300030 SUS 4.0mm |
| | Q6143300040 SUS 4.5mm |

Nozzle Slim

- 46143310332 1.0mm
- 46143310341 1.2mm
- 46143310351 1.5mm
- 46143310361 2.0mm
- 46143310371 2.5mm
- 46143310381 3.0mm
- 46143310391 3.5mm
- 46143310401 4.0mm

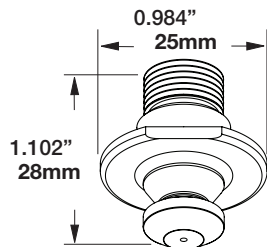


Nozzle Double Slim

- 36143311500 1.5mm
- 36143311510 2.0mm
- 36143311520 2.5mm
- 36143311530 3.0mm
- 36143311535 3.5mm
- 36143312390 4.0mm

Nozzle Pencil

- 06283301790 1.0mm HP
- 06283301800 1.2mm HP
- 06283301810 1.5mm HP

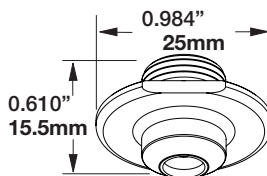


Nozzle Double Pencil

- 0628331820 1.5mm HP

Nozzle Double Smooth

- Q6283300030 6.0mm
- Q6283300020 7.5mm
- Q6283300010 9.5mm

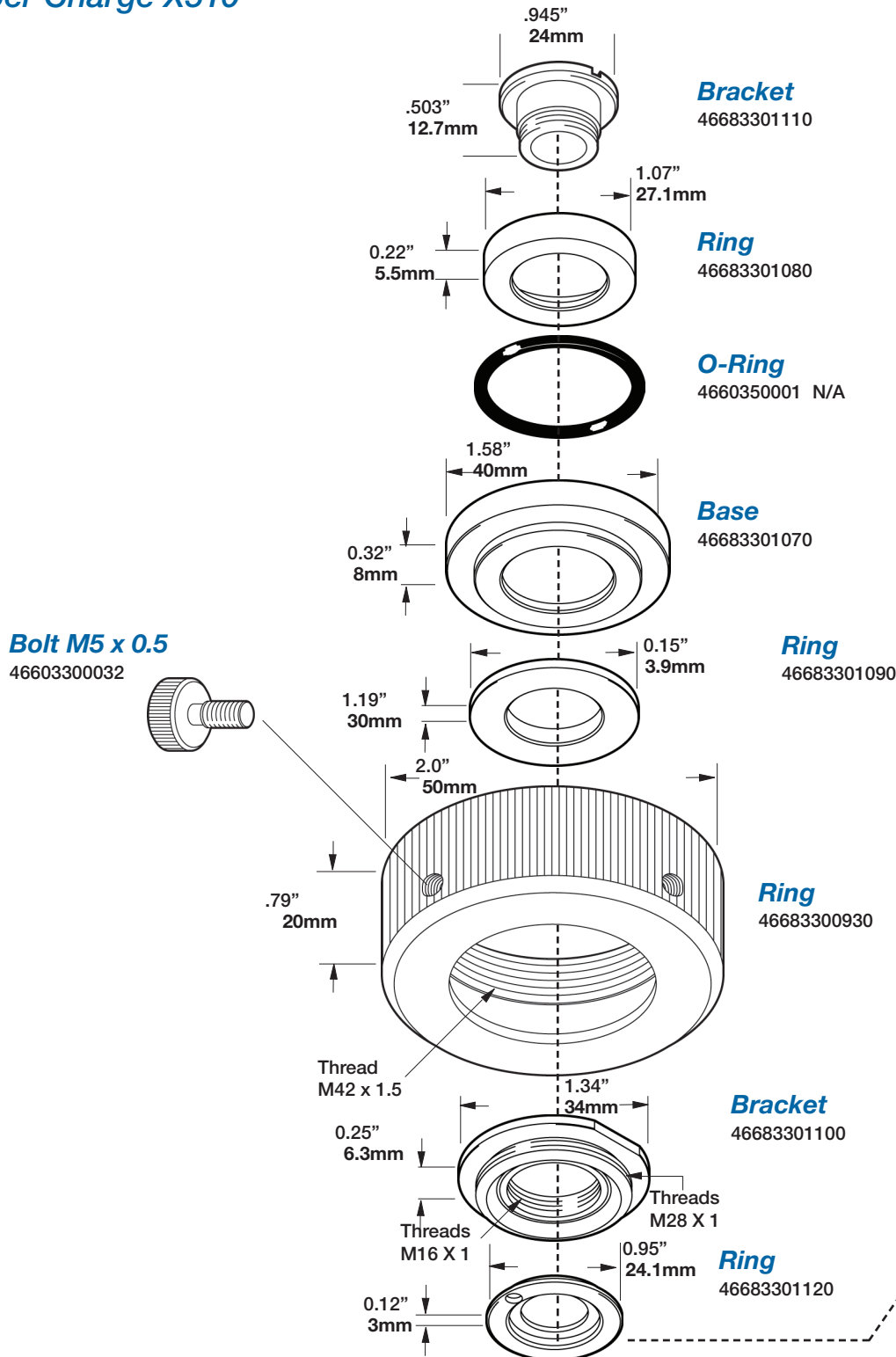


36

MAZAK[®]

Super Charge X510

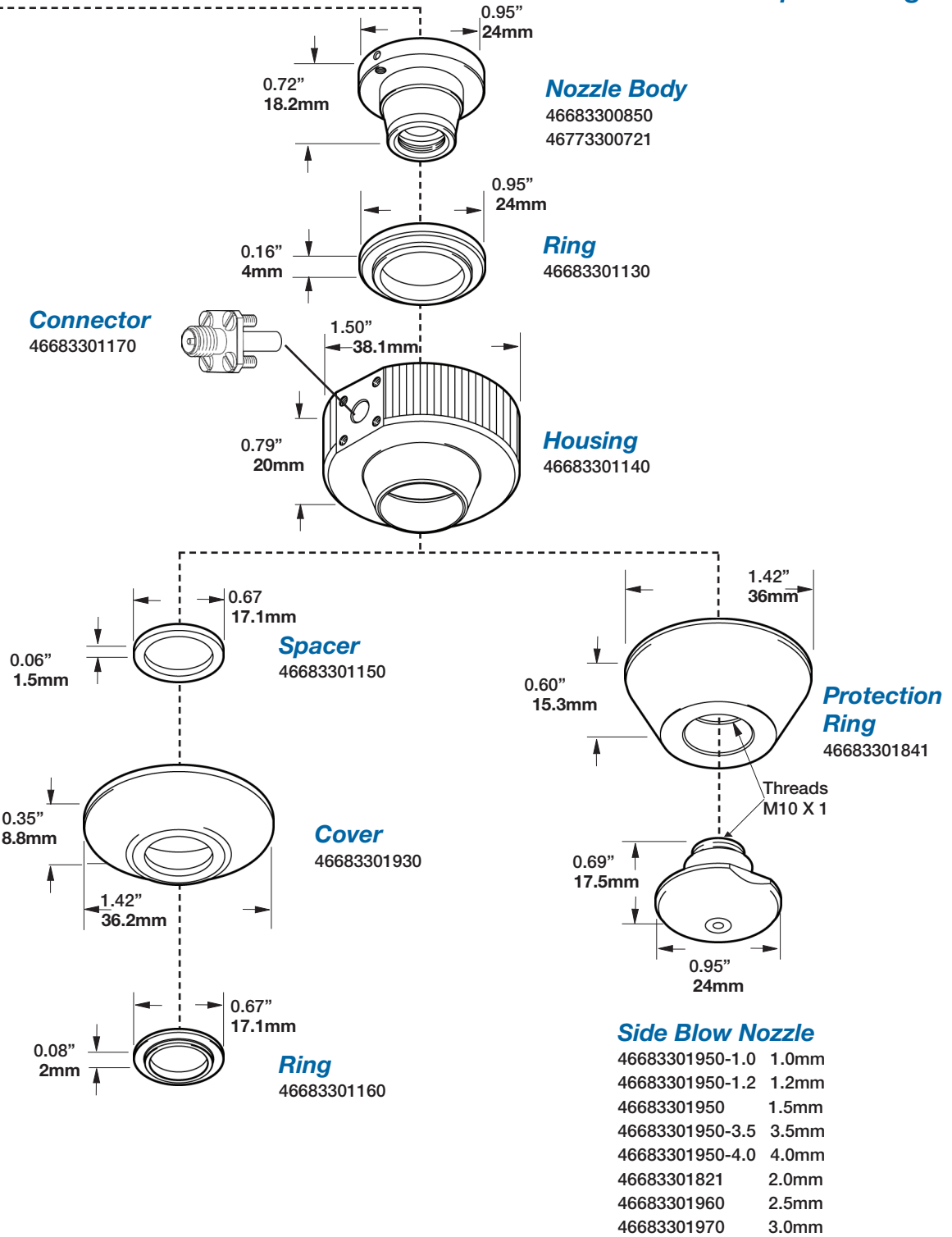
LASER



Continued on next page

American Torch Tip Company is in no way affiliated with the above-named original equipment manufacturer(s) ("OEM"). References to the above-named machines, torches, and numbers are for your reference only. Most parts advertised for sale are made by or for American Torch Tip, and other parts as indicated, are original parts manufactured by above-named OEM and are simply being re-sold by American Torch Tip. Footnotes: * = OEM; # = American Torch Tip is licensed to make and sell this part by named manufacturer; ATTC and ATT suffix = This part is an original American Torch Tip design and is not manufactured identical to the OEM design; © indicates a registered trademark, trade name, or product name of the above-named company. PHD®, PHDX™, Lightning®, Waltec™, Integra™, Lasertec Laser Division of American Torch Tip®, Multi-Use™ and ProMix™ are trademarks owned by American Torch Tip Company. © Copyright 2021, American Torch Tip Company.

Super Charge X510

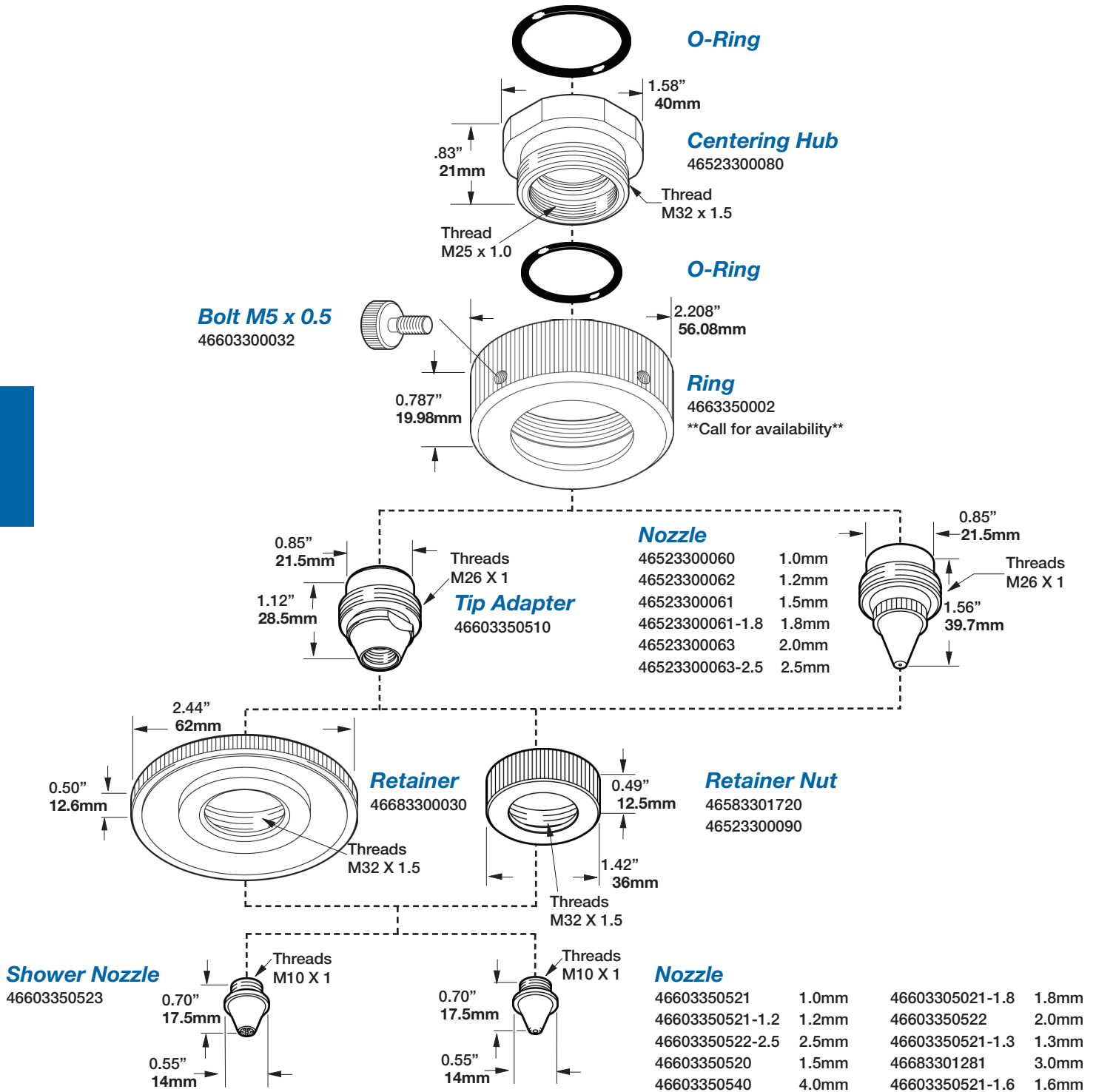


LASER

American Torch Tip Company is in no way affiliated with the above-named original equipment manufacturer(s) ("OEM"). References to the above-named machines, torches, and numbers are for your reference only. Most parts advertised for sale are made by or for American Torch Tip, and other parts as indicated, are original parts manufactured by above-named OEM and are simply being re-sold by American Torch Tip. Footnotes: * = OEM; # = American Torch Tip is licensed to make and sell this part by named manufacturer; ATTC and ATT suffix = This part is an original American Torch Tip design and is not manufactured identical to the OEM design; © indicates a registered trademark, trade name, or product name of the above-named company. PHD®, PHDX™, Lightning®, Waltec™, Integra™, Lasertec Laser Division of American Torch Tip®, Multi-Use™ and ProMix™ are trademarks owned by American Torch Tip Company. © Copyright 2021, American Torch Tip Company.

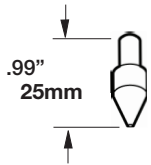
Turbo 10KW

LASER

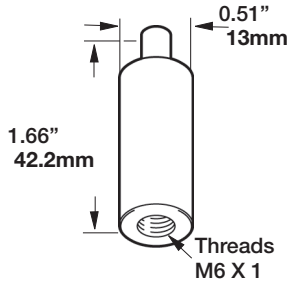


American Torch Tip Company is in no way affiliated with the above-named original equipment manufacturer(s) ("OEM"). References to the above-named machines, torches, and numbers are for your reference only. Most parts advertised for sale are made by or for American Torch Tip, and other parts as indicated, are original parts manufactured by above-named OEM and are simply being re-sold by American Torch Tip. Footnotes: * = OEM; # = American Torch Tip is licensed to make and sell this part by named manufacturer; ATTC and ATT suffix = This part is an original American Torch Tip design and is not manufactured identical to the OEM design; © indicates a registered trademark, trade name, or product name of the above-named company. PHD®, PHDX™, Lightning®, Waltec™, Integra™, Lasertec Laser Division of American Torch Tip®, Multi-Use™ and ProMix™ are trademarks owned by American Torch Tip Company. © Copyright 2021, American Torch Tip Company.

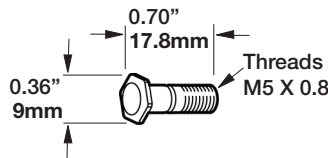
Table Pin
46600030013



Stylus Pin
46522300242

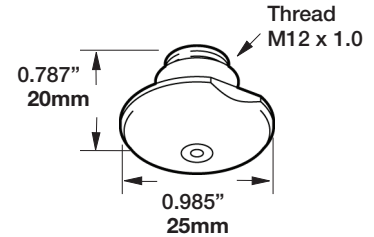


Shear Pin
46654801053

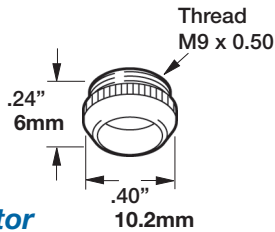


Nozzle

- | | | | |
|-------------|-----|-------------|-----|
| 46143304450 | 1.5 | 46143304480 | 2.5 |
| 46143304460 | 2.0 | 46143304490 | 3.0 |
| 46143304470 | 1.2 | | |

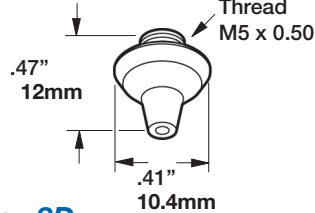


HNZ



Insulator
46713300320

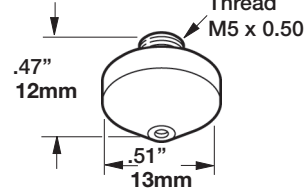
HNZ



Tip, Cu - 3D

- | | |
|-------------|-------|
| 46713300280 | 2.0mm |
| 46713300410 | 1.2mm |
| 46713300290 | 1.5mm |
| 46713300430 | 3.0mm |

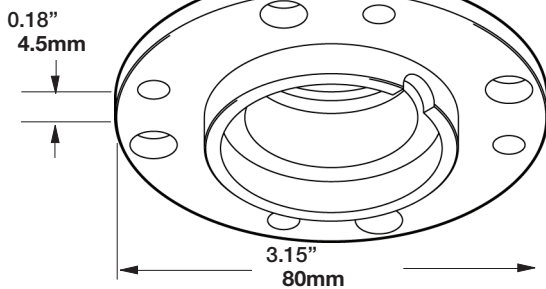
HNZ



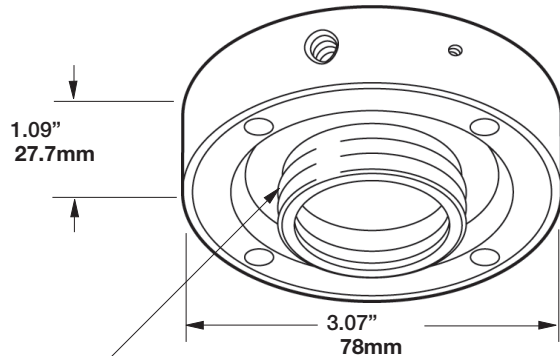
Tip, Cu - 2D

- | | |
|-------------|-------|
| 46713300300 | 2.0mm |
| 46713300310 | 1.5mm |
| 46713300440 | 3.0mm |

LASER



Aluminum Base
36623300700



Base

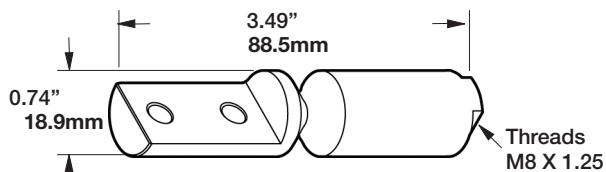
- | |
|-------------|
| 36564800714 |
| 36564801270 |

Not Shown

- | | |
|---------------------|--------------------|
| 46683301980 | Cable |
| 56743300500-Rebuild | Sensor Rebuild HNZ |

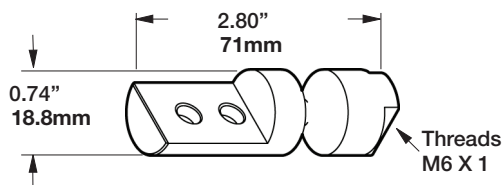
40

MAZAK®



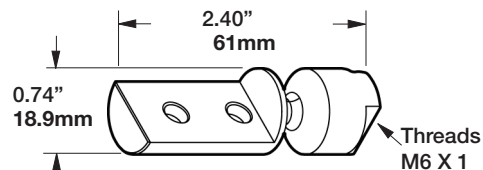
Break-Away Bar

36602300230 1.5KW
36602300550 2.0KW



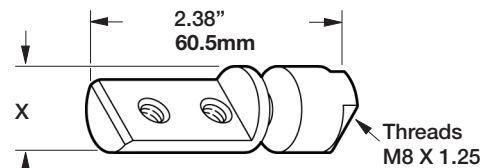
Break-Away Bar

46572301013



Break-Away Bar

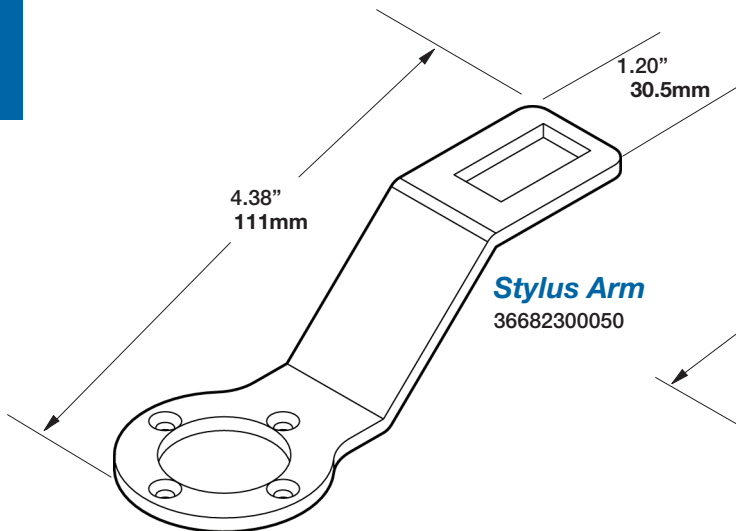
36572301012 1.0KW
46522300241



Break-Away Bar - X Dimension

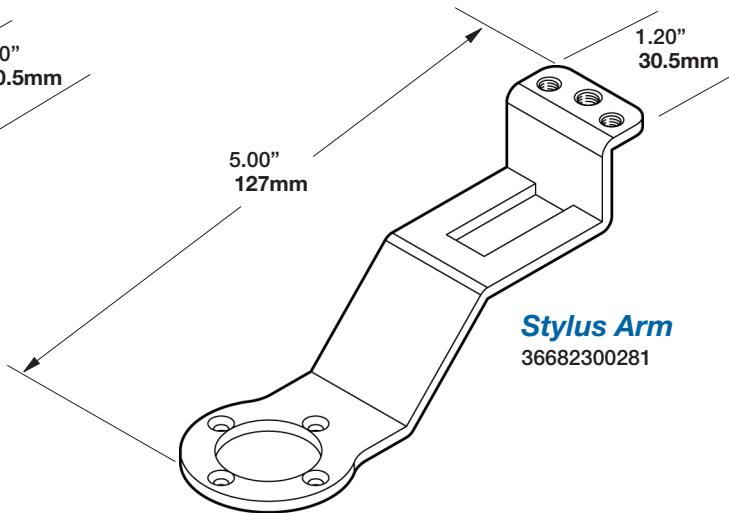
36682300280	.79	19.9mm
36673300280	.73	18.6mm

LASER



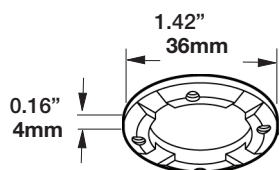
Stylus Arm

36682300050



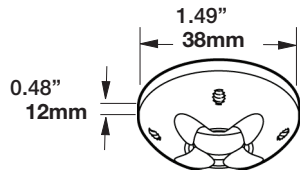
Stylus Arm

36682300281



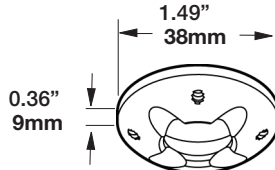
Stylus Foot 1KW

46512300520



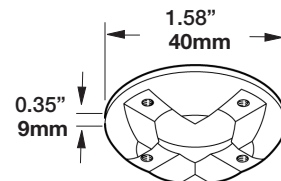
Stylus Foot 1.5KW

46572301041	Brass
46572301042	Brass
46572301042S	Steel
46572301041T	Teflon



Stylus Foot 2.0KW

46602350070	Brass
46602350080	Brass
46602350080S	Steel
46602350080X	Teflon



Stylus Foot

46612350280	Copper
46612350280S	Steel
46612350270	Brass

OPTICS FOR MAZAK® LASERS

Focusing Lenses

P/N	Lasertec P/N	Material	Diameter	Focal Length	Edge Thickness
Z50MB000130	ZC15500118	ZnSe	1.5"	5.0"	.118
Z50MB000160	ZC15500236	ZnSe	1.5"	5.0"	.236"
Z50MB000400	ZC15500310	ZnSe	1.5"	5.0"	.310"
Z50ZZ005150	ZC20500120	ZnSe	2.0"	5.0"	.120"
Z50ZZ005160	ZC20500310	ZnSe	2.0"	5.0"	.310"
Z50ZZ005190	ZC20750197	ZnSe	2.0"	7.5"	.197"
Z50ZZ005200	ZC20750380M	ZnSe	2.0"	7.5"	.380"

Protective Windows

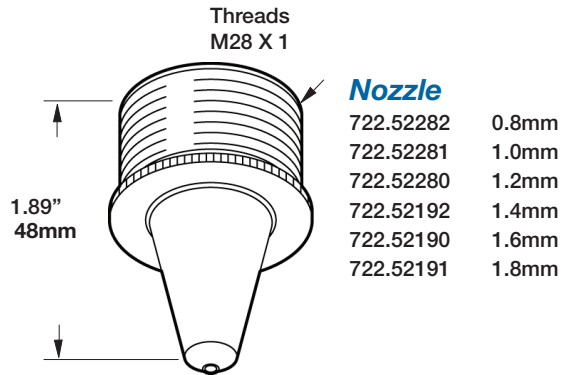
P/N	Material	Diameter	Edge Thickness
W495	FS	42mm	9mm



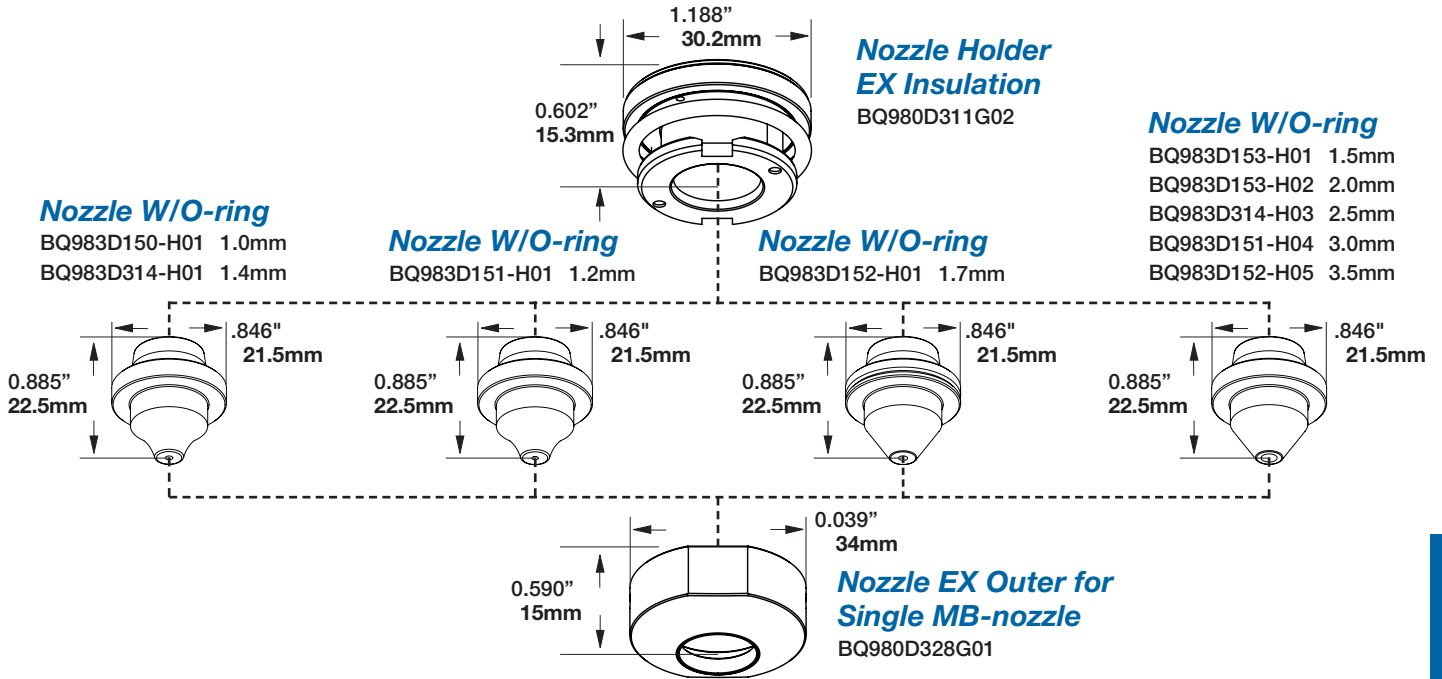
42

MG[®]

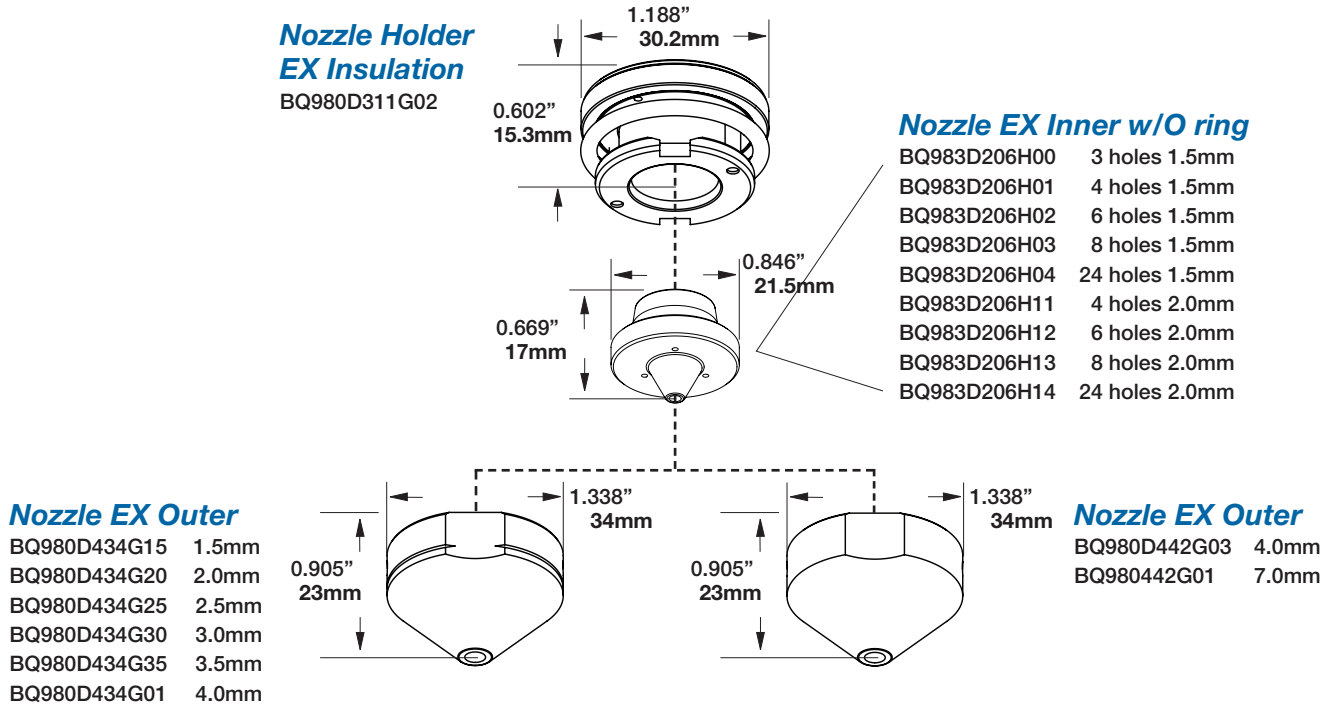
MESSER



LASER

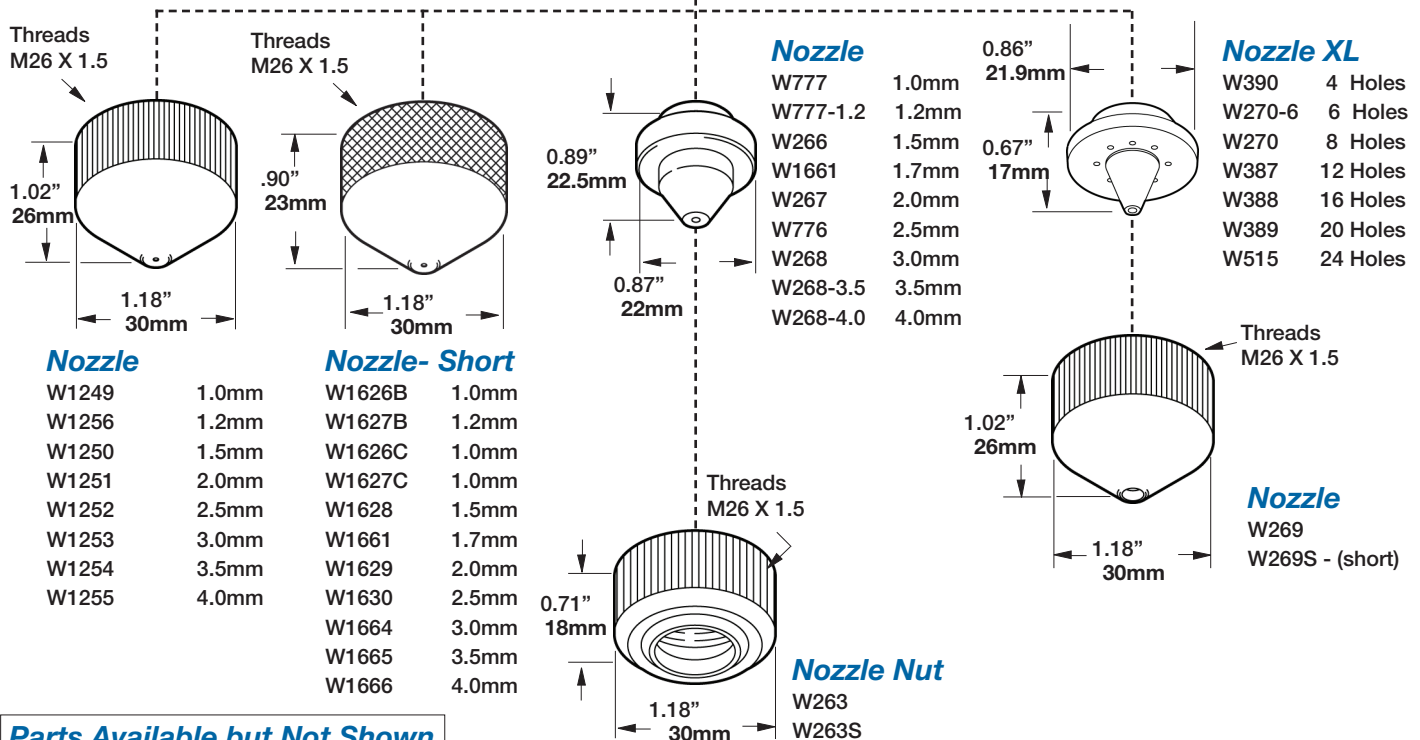
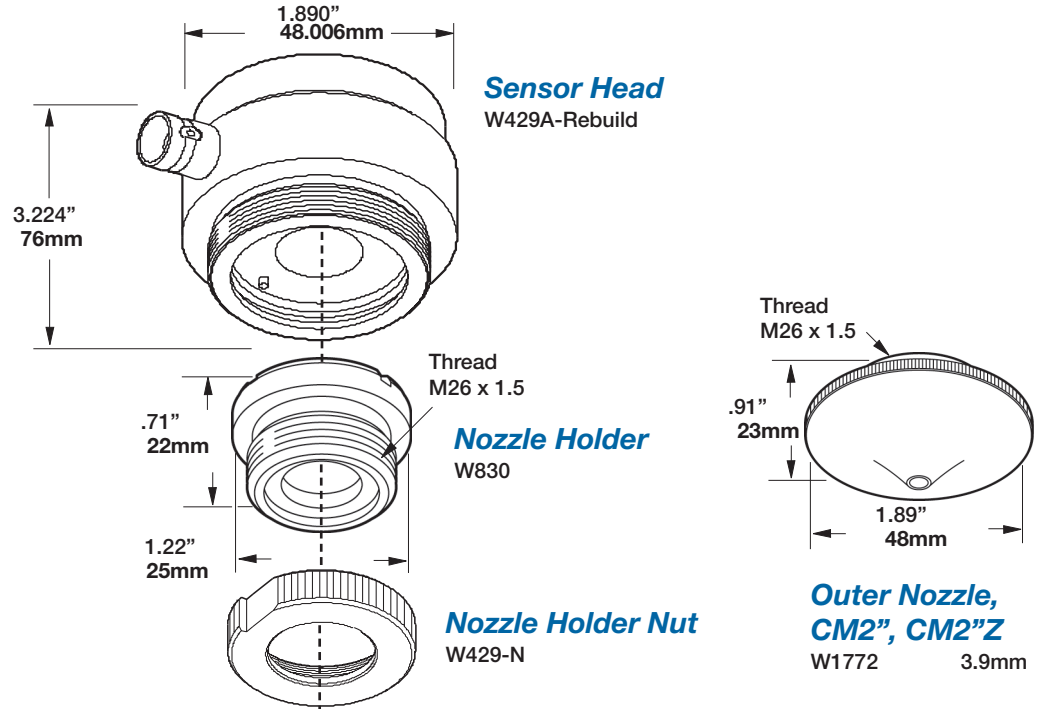


LASER



LX/LXP

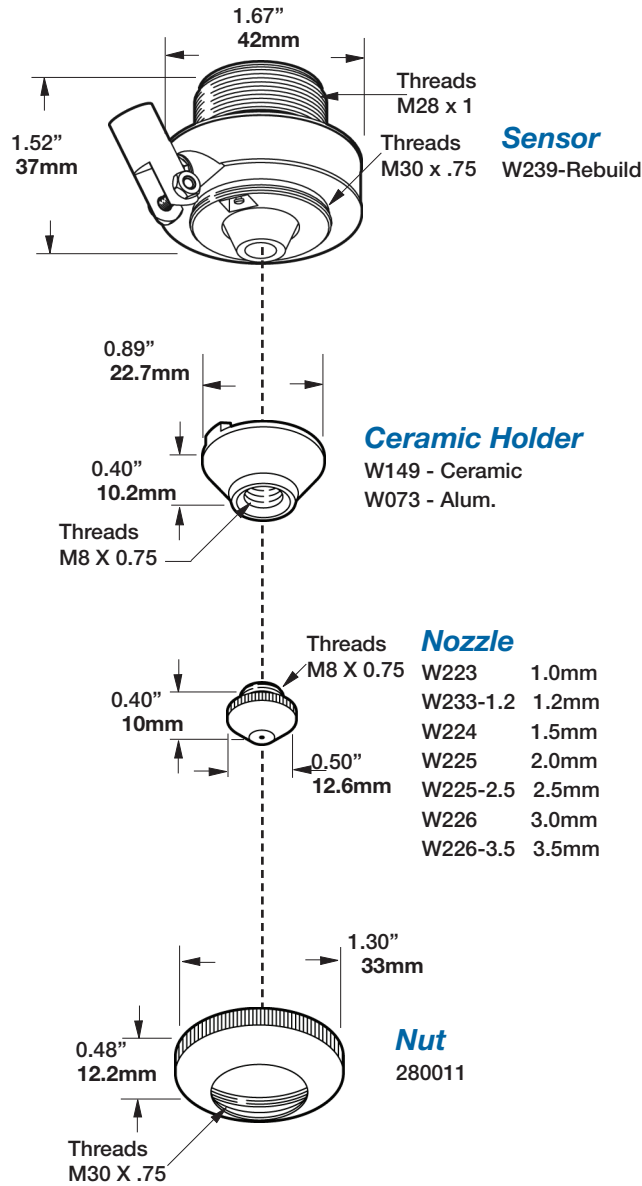
LASER



Parts Available but Not Shown

W1075 90° BNC Adapter

W812A BNC Cable

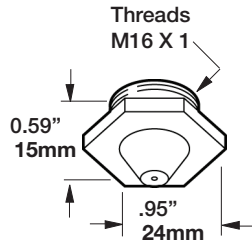


LASER

Contact Head

Nozzle

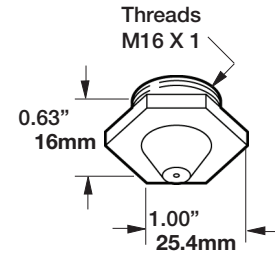
W001-1.0A	1.0mm
W001-A	1.5mm
W002-A	2.0mm
W002-2.5A	2.5mm
W003-A	3.0mm



Contact Head

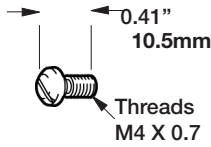
Nozzle

W001-1.0	1.0mm
W001	1.5mm
W002	2.0mm
W002-2.5	2.5mm
W003	3.0mm



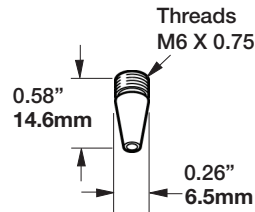
Screw

W104



Nozzle

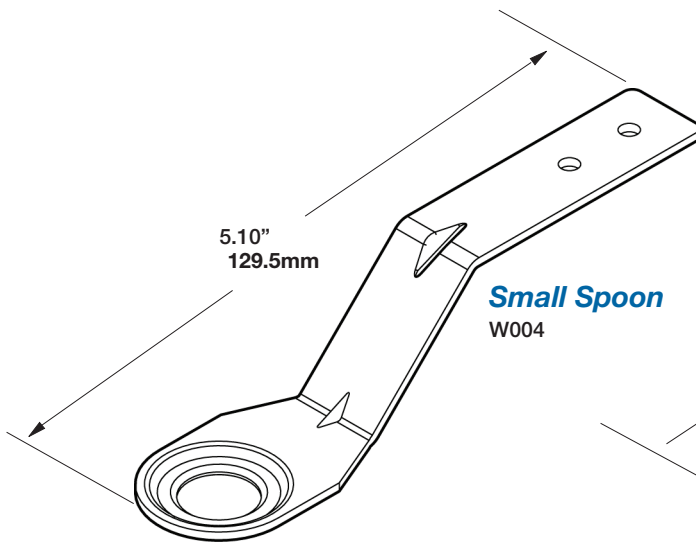
W400



LASER

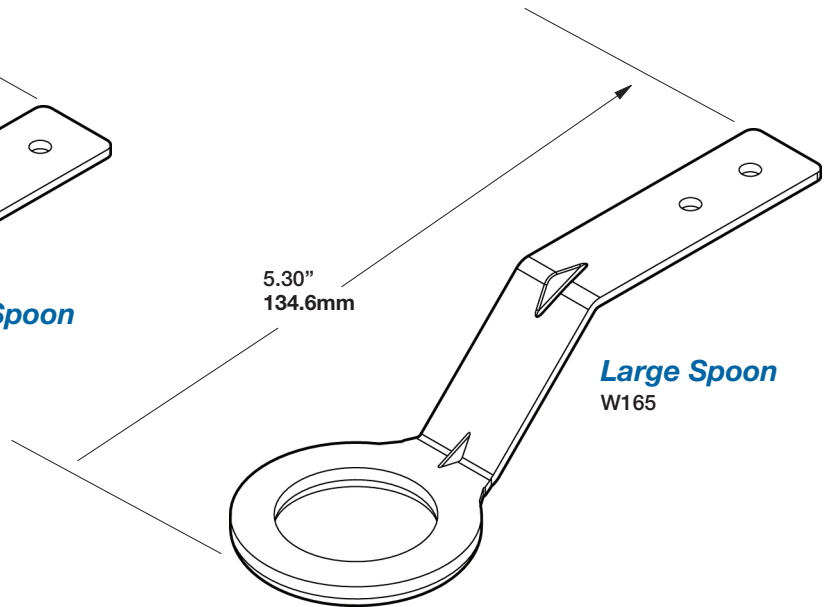
5.10"
129.5mm

Small Spoon
W004



5.30"
134.6mm

Large Spoon
W165



OPTICS FOR MITSUBISHI® LASERS

Focusing Lenses

P/N	Lasertec P/N	Material	Diameter	Focal Length	Edge Thickness
W006	ZC15350118	ZnSe	1.5"	3.5"	.118"
W015	ZM20750380	ZnSe	2.0"	7.5"	.380"
W018	ZC15750315	ZnSe	1.5"	7.5"	.315"
W500	ZC15500310	ZnSe	1.5"	5.0"	.310"
W505	ZC20500310	ZnSe	2.0"	5.0"	.310"
W510	ZC20750310	ZnSe	2.0"	7.5"	.310"
W813		ZnSe	1.5"	15000 mm	Collimator

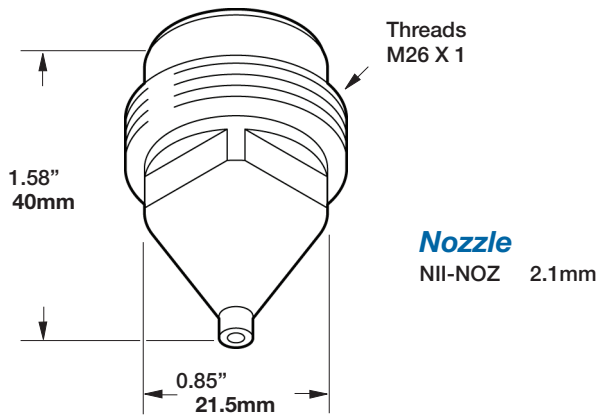
Protective Windows

P/N	Material	Diameter	Edge Thickness
632336-117	FS	25.4mm	5mm
633744-137	FS	50mm	8mm

48

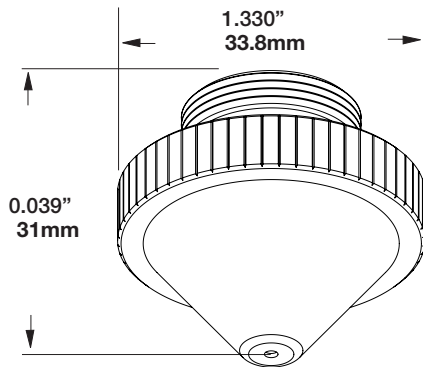
NIIGATA[®] / NTC[®] / BEYELER[®]

NIIGATA[®]



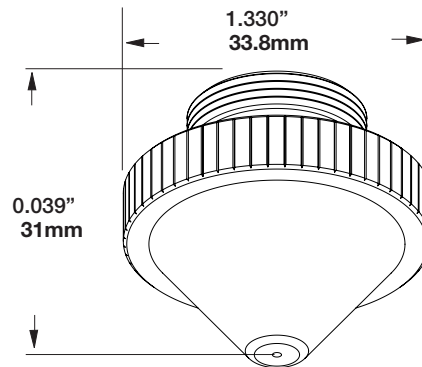
LASER

NTC[®] / BEYELER[®]



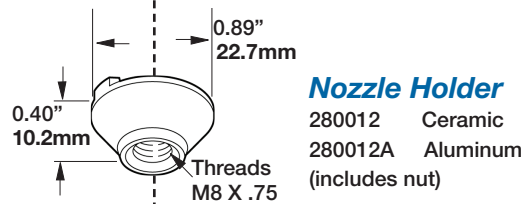
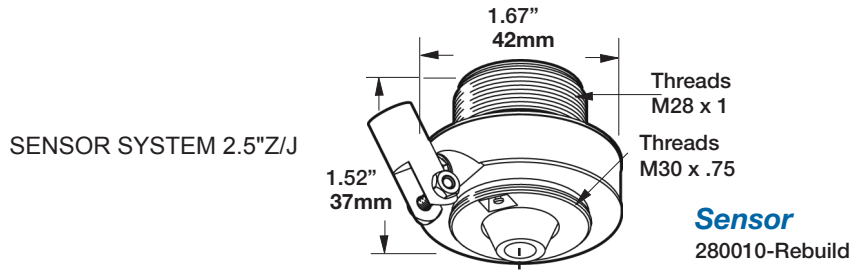
Nozzle

NTC - L10C	1.0mm
NTC - L12C	1.2mm
NTC - L15C	1.5mm
NTC - L20C	2.0mm
NTC - L30C	3.0mm
NTC - L40C	4.0mm



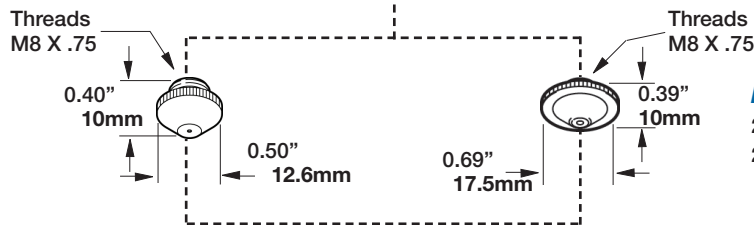
Nozzle

NTC - G15C	1.5mm
NTC - G20C	2.0mm
NTC - G30C	3.0mm
NTC - S15B	special



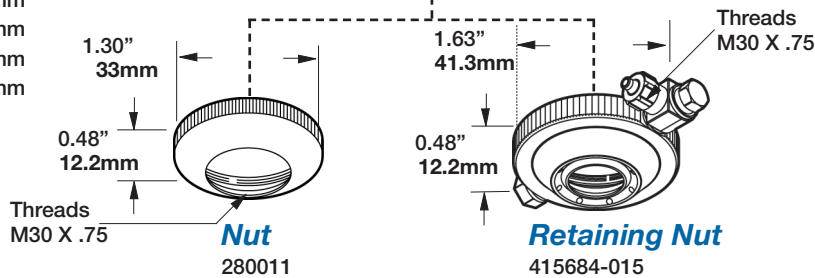
Nozzle

- 280013 / P0492-441-00008 0.8mm
- 280014 / P0492-442-00010 1.0mm
- 280015 / P0492-443-00012 1.2mm
- 280015-1.3 1.3mm
- 280016 / P0492-444-00015 1.5mm
- 280937 / P0492-445-00020 2.0mm
- 280937-2.5 2.5mm
- 280927 3.0mm



Nozzle

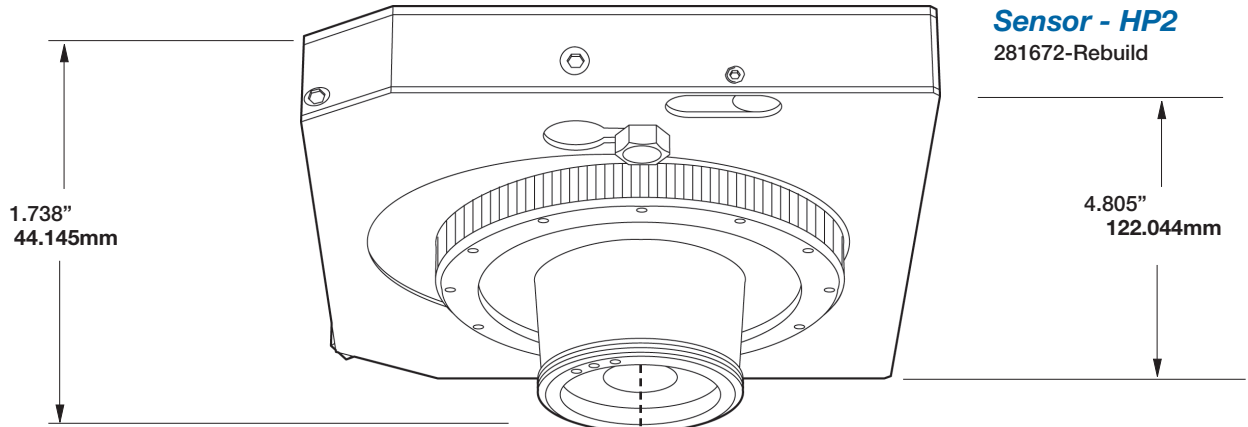
- 281024 1.5mm
- 281024-1.8 1.8mm



LASER

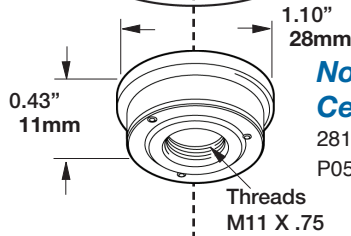
50

PRECITEC[®]



Sensor - HP2

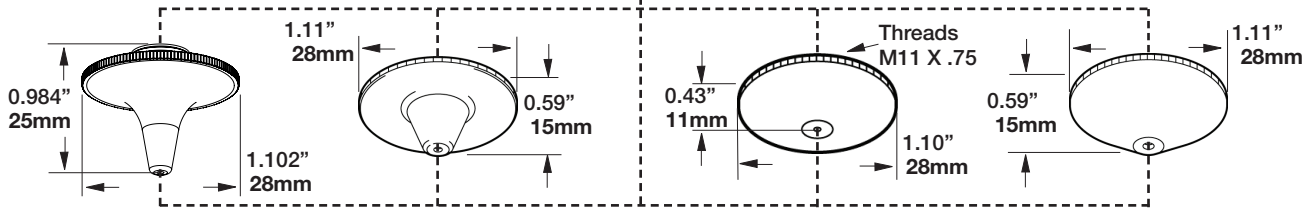
281672-Rebuild



**Nozzle Holder
Ceramic KT B2"**

281330 / P0571-260-00001 CYL
P0571-1051-00001 CON

Threads
M11 X .75



**Nozzle Long
w/Radius**

Part #	Size
P0578-0412-00012	1.2mm
P0578-0413-00015	1.5mm
P0578-0414-00018	1.8mm
P0572-0415-00020	2.0mm

Nozzle DE HP

Part # / Alternate Part #	Size
281590 / P0591-569-00008	0.8mm
281331 / P0591-561-00010	1.0mm
281351 / P0591-562-00012	1.2mm
281352 / P0591-563-00015	1.5mm
281353 / P0591-564-00018	1.8mm
281354 / P0591-565-00020	2.0mm
281591 / P0591-566-00025	2.5mm

Nozzle

281552	1.2mm
281553	1.5mm
281554	2.0mm

Nozzle DE HP N

Part # / Alternate Part #	Size
281548-0.8 / P0591-673-0008	0.8mm
281548 / P0591-571-00010	1.0mm
281549 / P0591-572-00012	1.2mm
281463 / P0591-573-00015	1.5mm
281463-1.8 / P0591-574-00018	1.8mm
281550 / P0591-575-00020	2.0mm
281551 / P0591-576-00025	2.5mm

Nozzle Double 3D

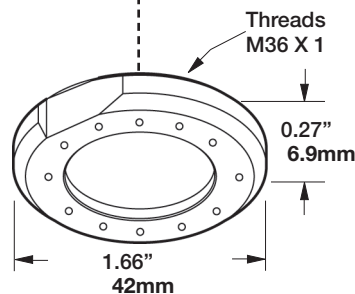
Part #	Size
6930250001	0.8mm
6930250002	1.0mm
6930250003	1.2mm
6930250004	1.5mm

Double Nozzle HP N

Part #	Size
P0591-002-00012	1.2mm
P0591-002-00014	1.4mm
P0591-002-00015	1.5mm
P0591-002-00018	1.8mm
P0591-002-00020	2.0mm
P0591-002-00025	2.5mm

Union Nut

281329



Threads
M36 X 1

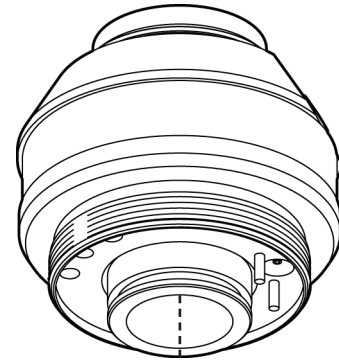
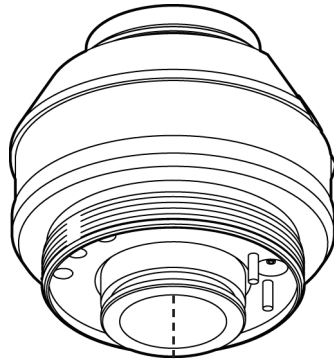
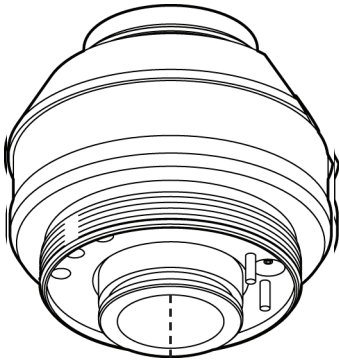
LASER

Sensor System 5"DXN

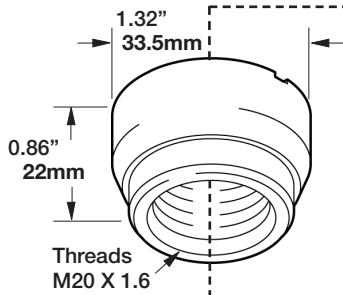
**5" DX
Sensor Head**
280033-Rebuild

**5" DXN
Sensor Head**
280948-Rebuild

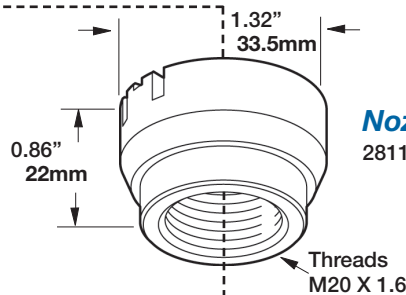
**M1.5/DZ
Sensor Head**
281145-Rebuild /
P0380-110-00002-Rebuild



Nozzle Holder
280565
280831 (5"DX)

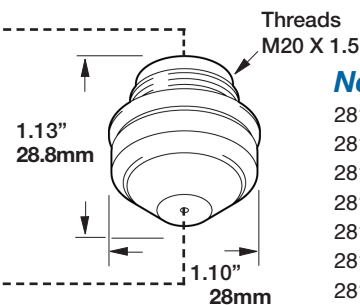
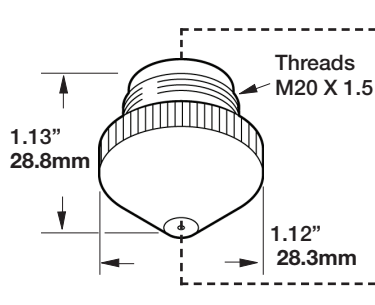


Nozzle Holder
281146 / P0380-211-00001



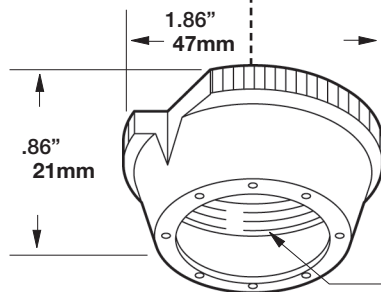
**Nozzle
Non-Contact**

- 280029 1.0mm
- 280030 1.2mm
- 280028 1.5mm
- 281384 1.7mm
- 280027 2.0mm
- 280026 2.5mm
- 280025-3.0 3.0mm
- 280025-3.5 3.5mm
- 281029L lav 1.0mm
- 281029L-1.7 lav 1.7mm
- 281029L-1.8 lav 1.8mm



Nozzle M1.5 DZ,DL,H

- 281253 / P0380-251-00010 1.0mm
- 281254 / P0380-252-00012 1.2mm
- 281255 / P0380-253-00015 1.5mm
- 281270 / P0380-254-00020 2.0mm
- 281271 / P0380-255-00025 2.5mm
- 281271-3.0 3.0mm
- 281271-4.0 4.0mm



UnionNut

280566
280025 (5"DX)

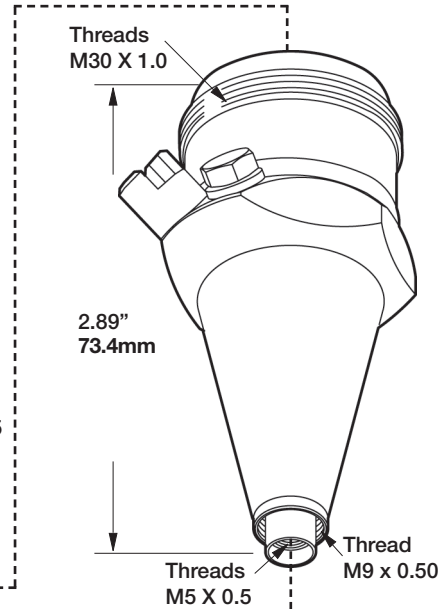
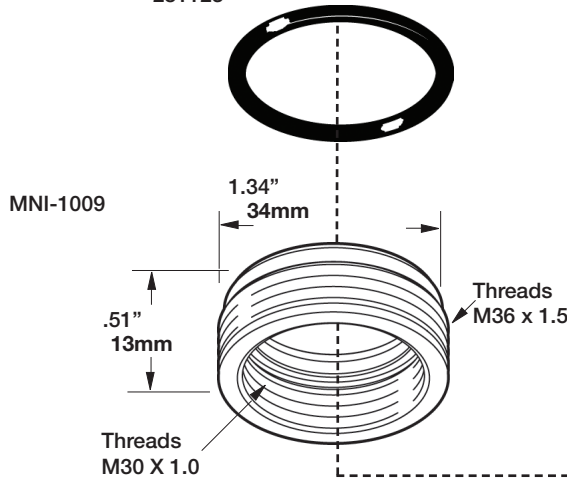
LASER

American Torch Tip Company is in no way affiliated with the above-named original equipment manufacturer(s) ("OEM"). References to the above-named machines, torches, and numbers are for your reference only. Most parts advertised for sale are made by or for American Torch Tip, and other parts as indicated, are original parts manufactured by above-named OEM and are simply being re-sold by American Torch Tip. Footnotes: * = OEM; # = American Torch Tip is licensed to make and sell this part by named manufacturer; ATTC and ATT suffix = This part is an original American Torch Tip design and is not manufactured identical to the OEM design; © indicates a registered trademark, trade name, or product name of the above-named company. PHD®, PHDX™, Lightning®, Waltec™, Integra™, Lasertec Laser Division of American Torch Tip®, Multi-Use™ and ProMix™ are trademarks owned by American Torch Tip Company. © Copyright 2021, American Torch Tip Company.

M1.5 HNZ / CZ

LASER

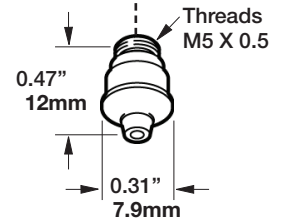
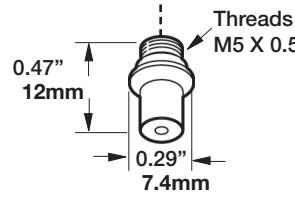
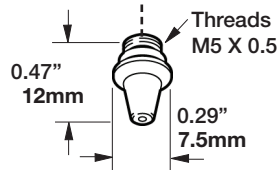
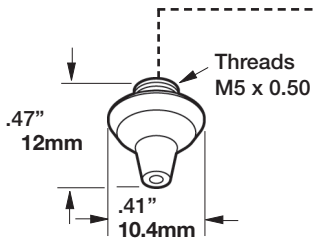
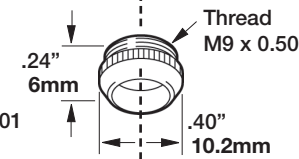
O-Ring
281123



Sensor Insert HNZ
P0354-110-00001-Rebuild

Sensor Insert CZ
Not Shown
P0356-201-00001-Rebuild

Union Nut
281003
P0352-311-00001



Nozzle Cu - 3D

- P0352-381-00010 1.0mm
- P0352-382-00012 1.2mm
- P0352-383-00015 1.5mm
- P0352-384-00020 2.0mm
- P0352-385-00025 2.5mm
- P0352-388-00030 3.0mm

Nozzle - M1.5 C/H KK

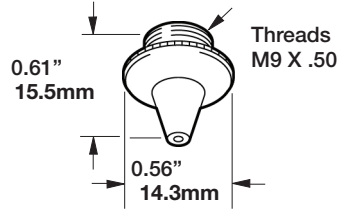
- 281006 / P0352-333-00010 1.0mm
- 281030 / P0352-334-00012 1.2mm
- 281031 / P0352-335-00015 1.5mm
- 280898 / P0352-336-00018 1.8mm
- P0352-336-0002 2.0mm

Nozzle - M1.5 C/H ZK

- 281005 / P0352-323-00010 1.0mm
- 281034 / P0352-324-00012 1.2mm
- 281013 / P0352-325-00015 1.5mm
- 280899 / P0352-326-00018 1.8mm
- P0352-327-00020 2.0mm
- P0352-328-00025 2.5mm

Nozzle - M1.5 C/H ZL

- 281010 / P0352-352-00008 0.8mm
- 281035 / P0352-354-00012 1.2mm
- 281036 / P0352-355-00015 1.5mm
- P0352-353-00018 1.8mm



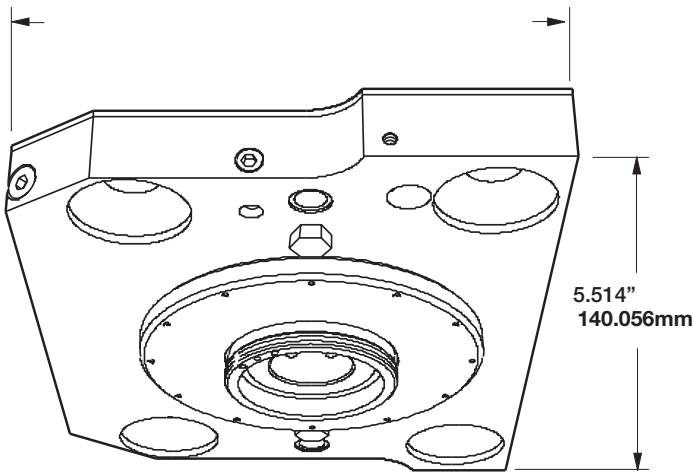
Nozzle

281813 / P0589-424-0008	0.8mm
281789 / P0589-426-00010	1.0mm
281561 / P0589-425-00012	1.2mm
281814 / P0589-427-00015	1.5mm
281814-2.0 / P089-426-00020	2.0mm

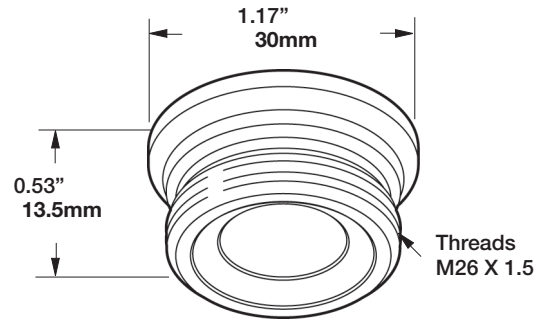
Parts Available but Not Shown

149884 / D5589-801-05000	Sensor Cable
149951	Cable MXC
562311	Cable BNC
563983	Cable BNC
P0589-400-00001-Rebuild /	Sensor Insert MCX
778548-Rebuild	
P0589-800-00001-Rebuild /	Sensor Insert BNC
562313-Rebuild	

LASER



Sensor - HP2MZ
P0594-820-00001-Rebuild



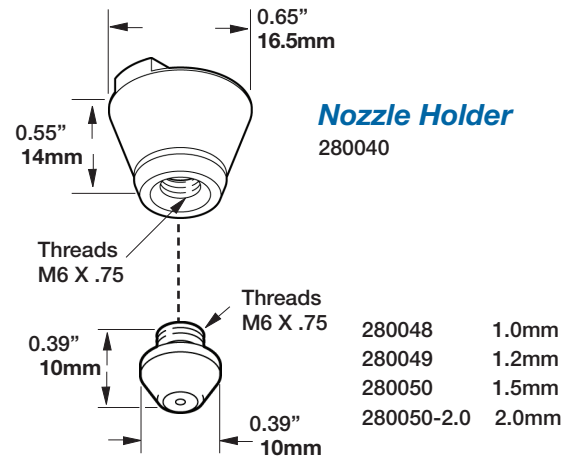
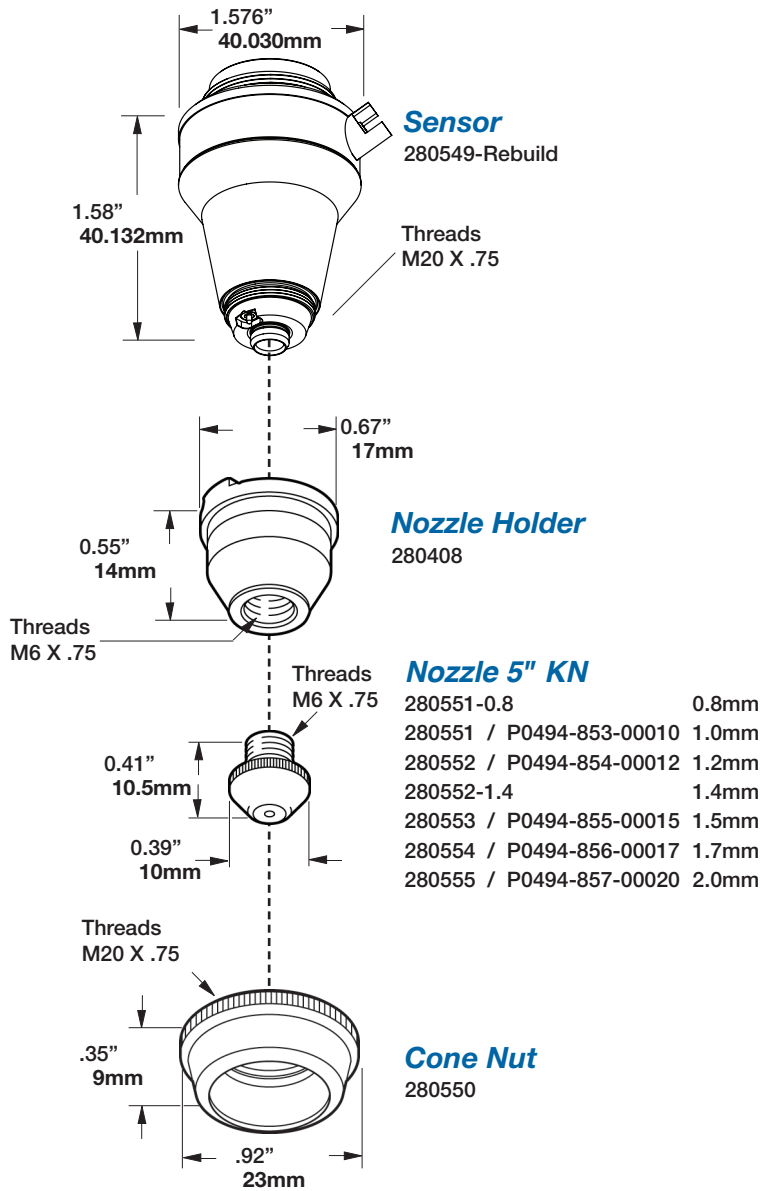
Nozzle Holder
Aluminum

P0594-860-00001

SENSOR SYSTEM 5"KN

SENSOR SYSTEM 5"K

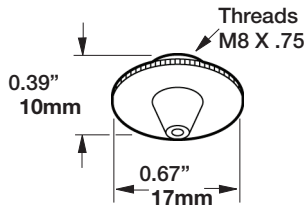
LASER



Parts Available but Not Shown

280042-Rebuild	Sensor
280041	Cone Nut

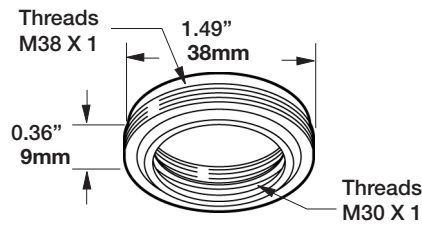
SCL



Nozzle

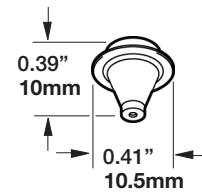
281298 / P0492-482-00012	1.2mm
281009 / P0492-483-00015	1.5mm
281293 / P0492-484-00020	2.0mm

KN, DZ, DXN, DX



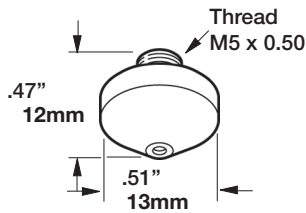
Insulator
280064

YK52



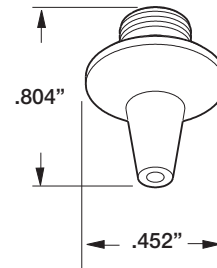
Nozzle

281243	1.0mm
281242	1.5mm



Tip, Cu - 2D

P0352-386-00015	1.8mm
P0352-387-00020	2.0mm
P0352-392-00030	3.0mm



Nozzle

P0787-483-00015-1.2	1.2mm
P0787-483-00015	1.5mm
P0787-483-00015-1.75	1.75mm
P0787-483-00015-2.0	2.0mm

LASER

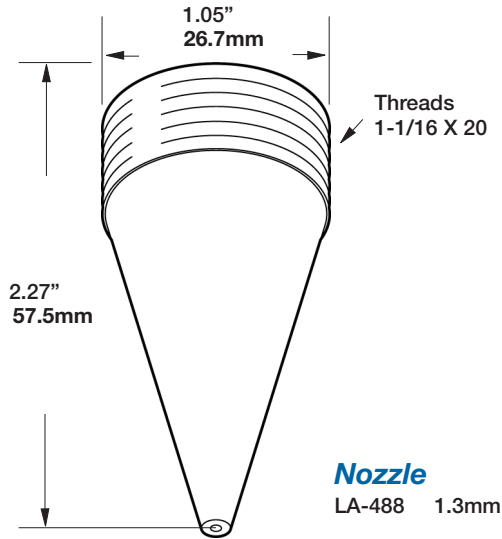
OPTICS FOR PRECITEC® LASERS

Protective Windows

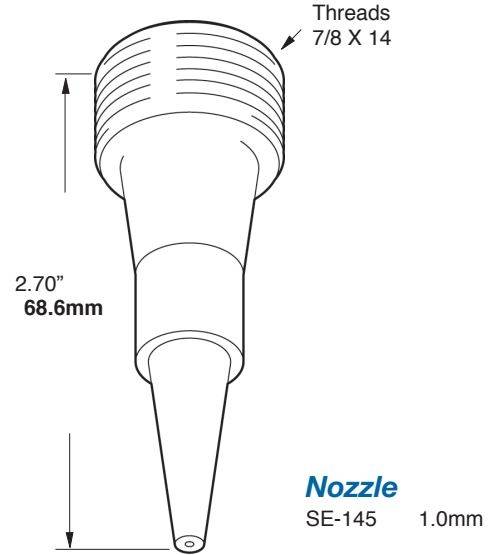
P/N	Material	Diameter	Edge Thickness
284.0402	FS	50mm	3.18mm
P0595-58601	FS	37mm	7mm

RAYTHEON[®] / ROFIN SINAR[®] / SHIBUYA[®] / SPECTRA PHYSICS[®]

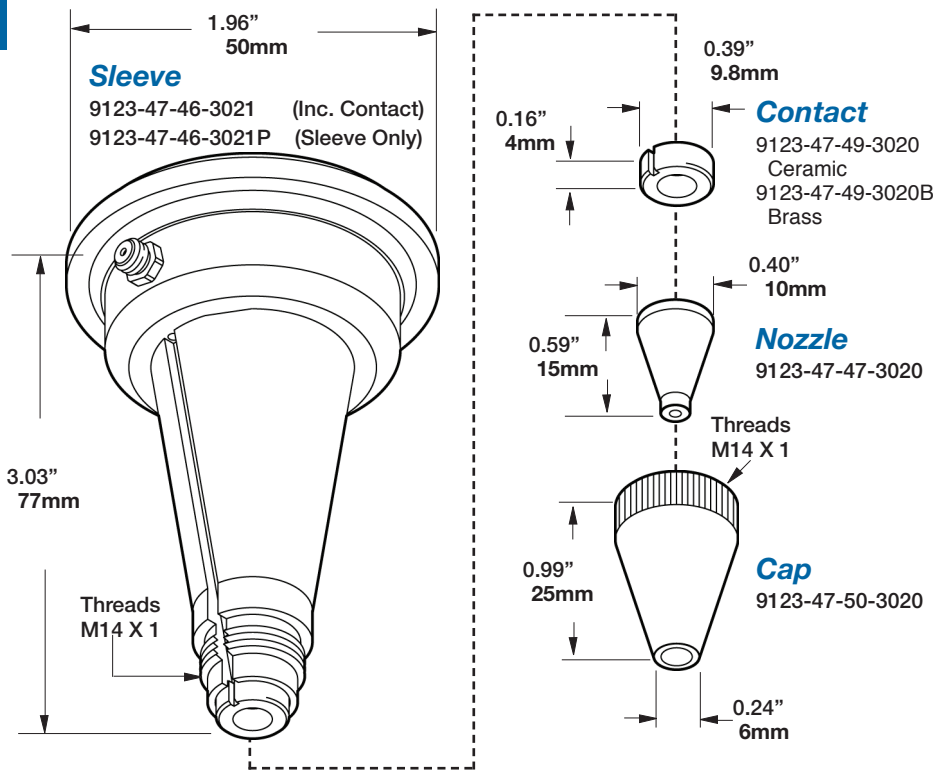
RAYTHEON[®]



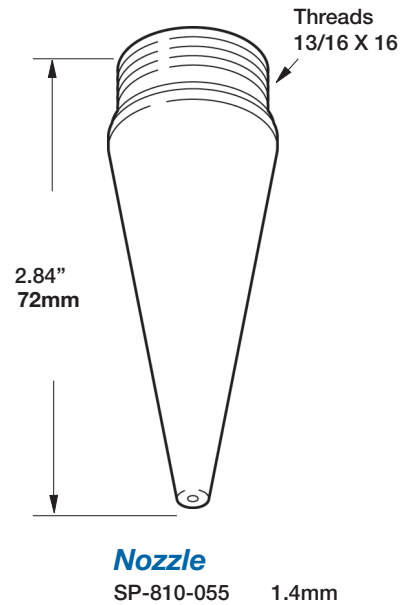
ROFIN SINAR[®]



SHIBUYA[®]

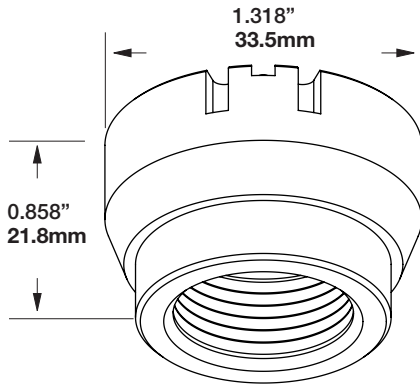


SPECTRA PHYSICS[®]

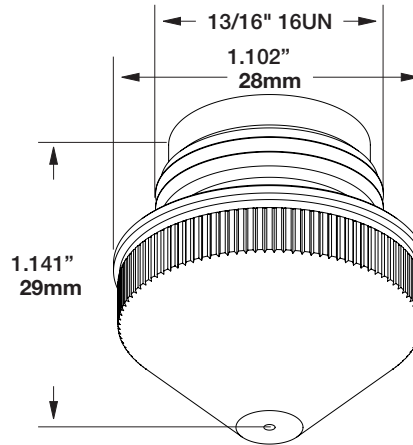


LASER

American Torch Tip Company is in no way affiliated with the above-named original equipment manufacturer(s) ("OEM"). References to the above-named machines, torches, and numbers are for your reference only. Most parts advertised for sale are made by or for American Torch Tip, and other parts as indicated, are original parts manufactured by above-named OEM and are simply being re-sold by American Torch Tip. Footnotes: * = OEM; # = American Torch Tip is licensed to make and sell this part by named manufacturer; ATTC and ATT suffix = This part is an original American Torch Tip design and is not manufactured identical to the OEM design; © indicates a registered trademark, trade name, or product name of the above-named company. PHD®, PHDX™, Lightning®, Waltec™, Integra™, Lasertec Laser Division of American Torch Tip®, Multi-Use™ and ProMix™ are trademarks owned by American Torch Tip Company. © Copyright 2021, American Torch Tip Company.



PT Nozzle Holder ITM
P0380-211-00001 1.5" DZ



SA Nozzle

- 146331A4 1.0mm
- 146330A4 1.25mm
- 146329A4 1.5mm
- 146328A4 1.75mm
- 146327A4 2.0mm
- 146326A4 2.25mm
- 146325A4 2.5mm
- 146324A4 2.75mm
- 146323A4 3.0mm

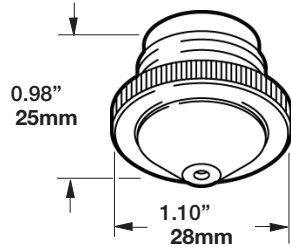
LASER

OPTICS FOR SALVAGNINI® LASERS

Protective Windows

P/N	Material	Diameter	Edge Thickness
632755-117	FS	32mm	6.35mm

American Torch Tip Company is in no way affiliated with the above-named original equipment manufacturer(s) ("OEM"). References to the above-named machines, torches, and numbers are for your reference only. Most parts advertised for sale are made by or for American Torch Tip, and other parts as indicated, are original parts manufactured by above-named OEM and are simply being re-sold by American Torch Tip. Footnotes: * = OEM; # = American Torch Tip is licensed to make and sell this part by named manufacturer; ATTC and ATT suffix = This part is an original American Torch Tip design and is not manufactured identical to the OEM design; ® indicates a registered trademark, trade name, or product name of the above-named company. PHD®, PHDX™, Lightning®, Waltec™, Integra™, Lasertec Laser Division of American Torch Tip®, Multi-Use™ and ProMix™ are trademarks owned by American Torch Tip Company. © Copyright 2021, American Torch Tip Company.



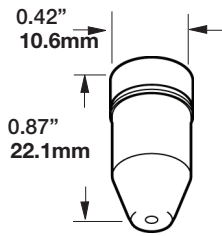
Nozzle Standard

7945470	1.0mm
5241982	1.2mm
7945434	1.5mm
7945452	2.0mm
7945517	2.5mm

Nozzle High Pressure

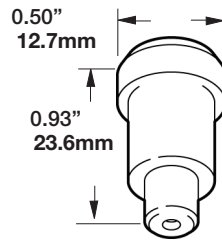
5241862	1.5mm
5241863	1.0mm
5241855	2.0mm
5241856	2.5mm
5241857	3.0mm
5241877	3.5mm
5241878	4.0mm

LASER



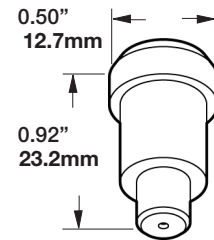
Nozzle

1001019-000	1.0mm
1001020-000	2.0mm



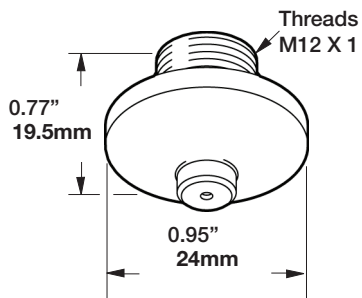
Nozzle

123409-100	2.0mm H.P.
------------	------------



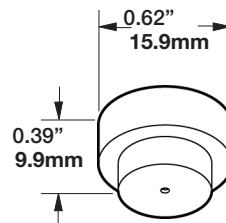
Nozzle

123409-000	1.2mm L.P.
------------	------------



Nozzle

1001233-150	1.5mm
1001233-200	2.0mm
1001233-250	2.5mm
1001233-300	3.0mm
1001233-350	3.5mm



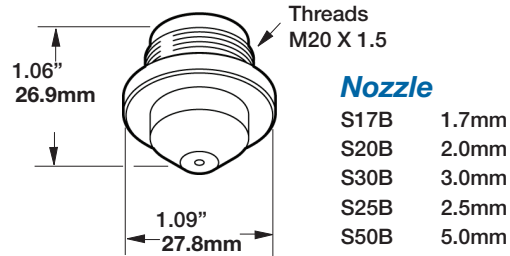
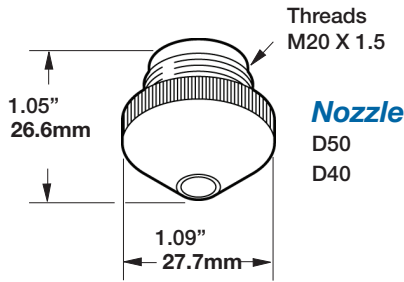
Nozzle

106054-000	1.0mm L.P.
106054-000-1.5	1.5mm L.P.
106054-000-2.0	2.0mm L.P.
106054-100	2.0mm L.P.

OPTICS FOR STRIPPIT® / LVD® LASERS

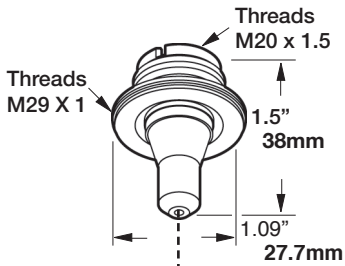
Focusing Lens

P/N	Lasertec P/N	Material	Diameter	Focal Length	Edge Thickness
0018827-000	ZM15500291	ZnSe	1.5"	5.0"	.291"
0018827-100	ZC15500236	ZnSe	1.5"	5.0"	.236"
0800952-000	ZC15350118	ZnSe	1.5"	3.5"	.118"
1000746-100	ZC15750300	ZnSe	1.5"	7.5"	.300"
1001151-000	ZM15500350	ZnSe	1.5"	5.0"	.350"
1001152-000	ZM15750350	ZnSe	1.5"	7.5"	.350"
29100023	ZM15500291	ZnSe	1.5"	5.0"	.291"
29100030	ZM15750291	ZnSe	1.5"	7.5"	.291"
29100055	ZM20750380	ZnSe	2.0"	7.5"	.380"
29100061	ZM20100380	ZnSe	2.0"	10.0"	.380"
29100062	ZM20125380	ZnSe	2.0"	12.5"	.380"
29100115	ZM18500354	ZnSe	1.8"	5.0"	.354"
29100116	ZM18750354	ZnSe	1.8"	5.0"	.354"



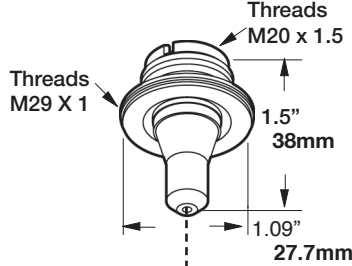
Nozzle, Inner

- C20D-2
- C20E-2-1.5 1.5mm
- C20E-2 2.0mm



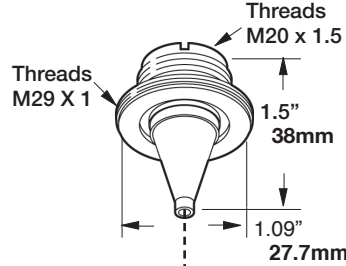
Nozzle, Inner

- C22D-2



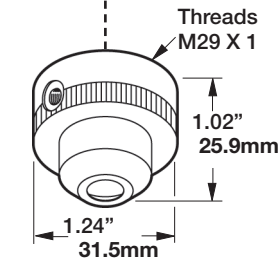
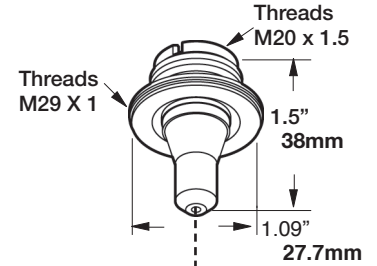
Nozzle, Inner

- C25C-2



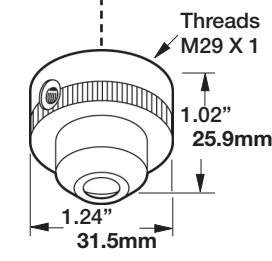
Nozzle, Inner

- C30D-1
- C30E-1



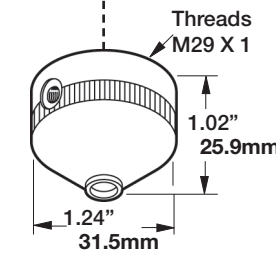
Nozzle, Outer

- C20D-1
- C20E-1



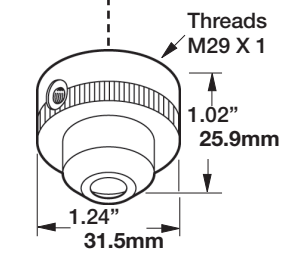
Nozzle, Outer

- C22D-1



Nozzle, Outer

- C25C-1



Nozzle, Outer

- C30D-2
- C30E-2

Nozzle Assy.

- C20D

Nozzle Assy.

- C20E

Nozzle Assy.

- C22D

Nozzle Assy.

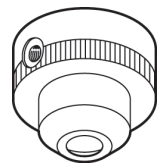
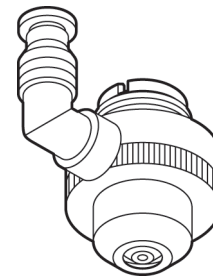
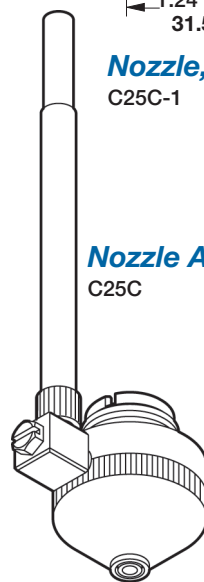
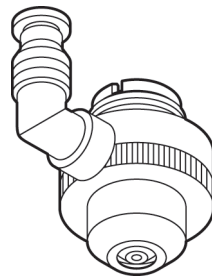
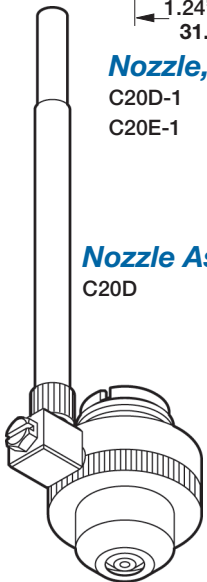
- C25C

Nozzle Assy.

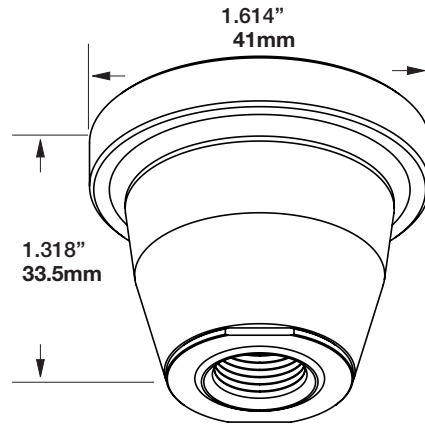
- C30D

Nozzle Assy.

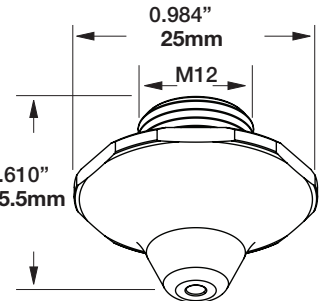
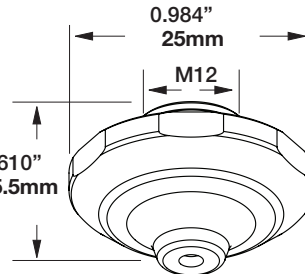
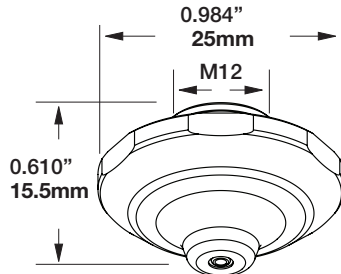
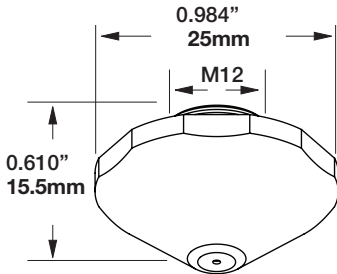
- C30E



LASER



Nozzle Holder, ceramic
1755673



LASER

Nozzle EAA

1324858	0.8mm
1324860	1.0mm
1324861	1.2mm
1324863	1.4mm
1324864	1.7mm
1324865	2.0mm
1324866	2.3mm
1324867	2.7mm

Nozzle Double EAU

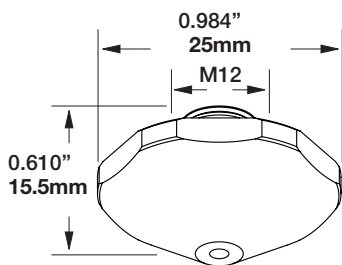
2059462	2.5mm
2060001	3.0mm
2060004	4.0mm
2060025	6.0mm
2253595	10.0mm

Nozzle Double EAK

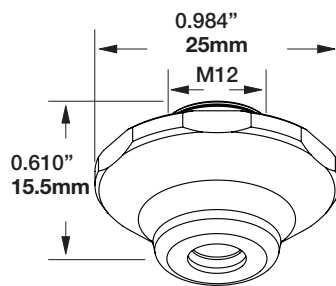
1579549	2.5mm
1579556	3.0mm
1835747	4.0mm

Nozzle EAB

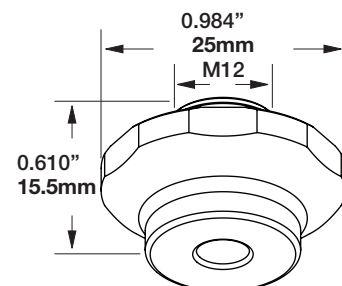
1373324	0.8mm
1373325	1.0mm
1373326	1.2mm
1373327	1.4mm
1373328	1.7mm
1373329	2.0mm
1373330	2.3mm
1373331	2.7mm



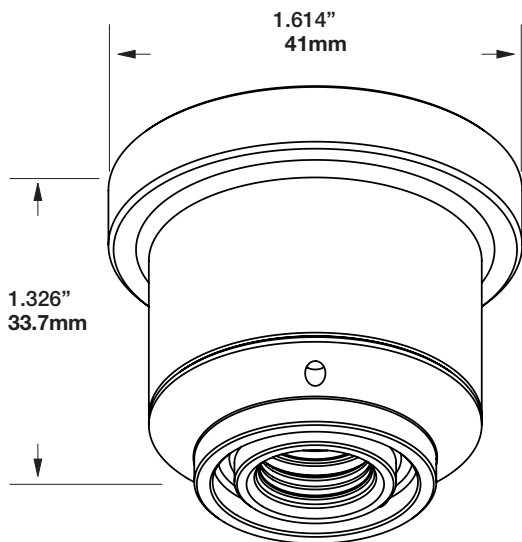
Nozzle Focusing ZAA-01
1637264



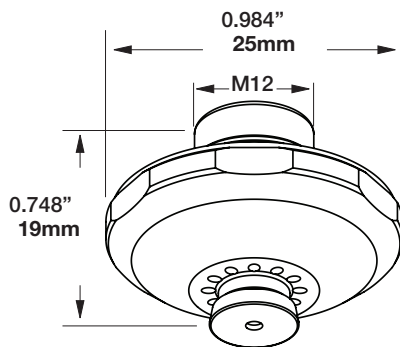
Nozzle Double EAQ
1809091 6.0mm
1809421 7.5mm
1886199 9.5mm



Nozzle EAC
1633046 5.3mm



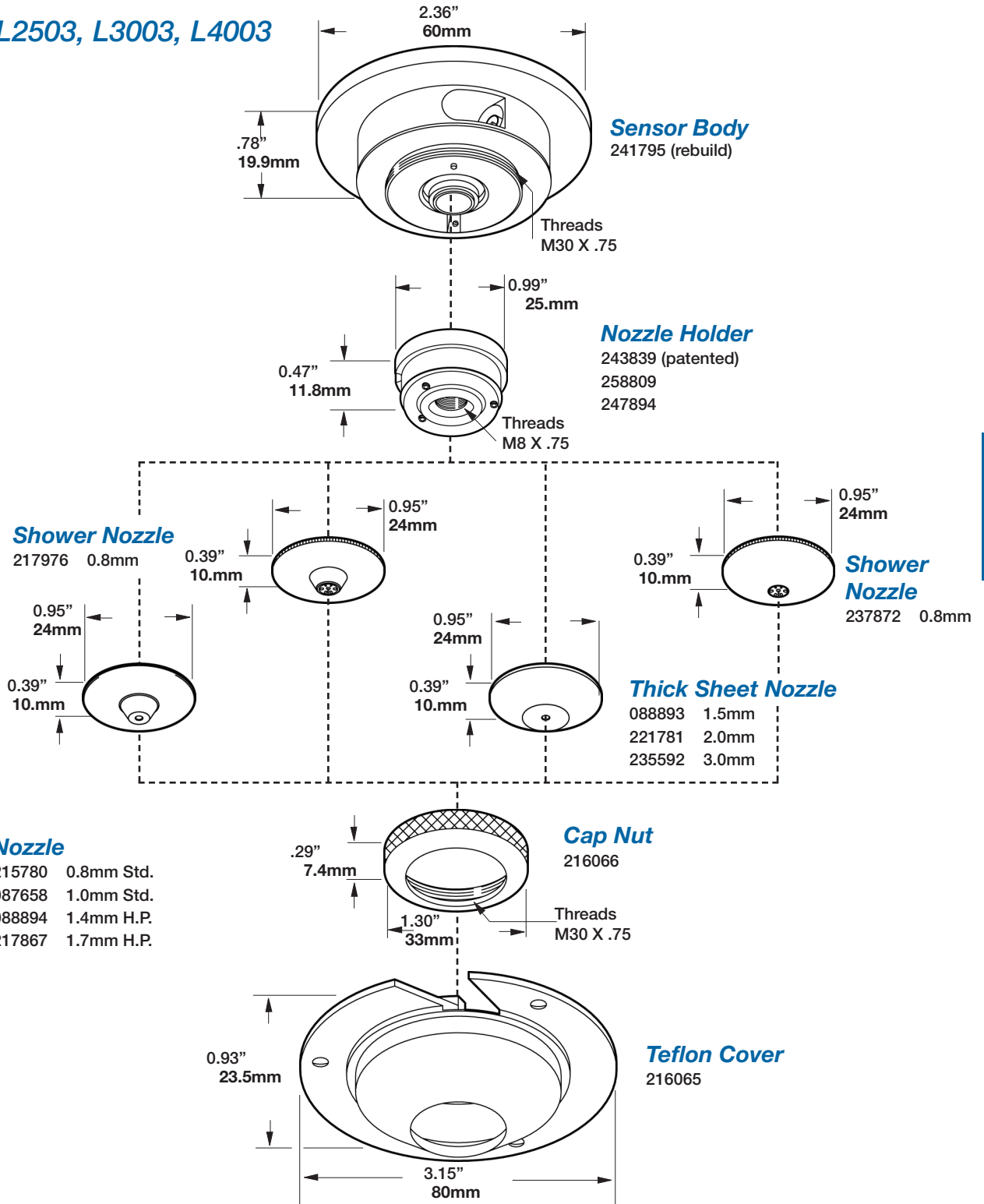
Nozzle Holder, ceramic
1906032



Nozzle EGL

1879940	1.4mm
1879951	1.7mm
1879952	2.0mm
1879953	2.3mm

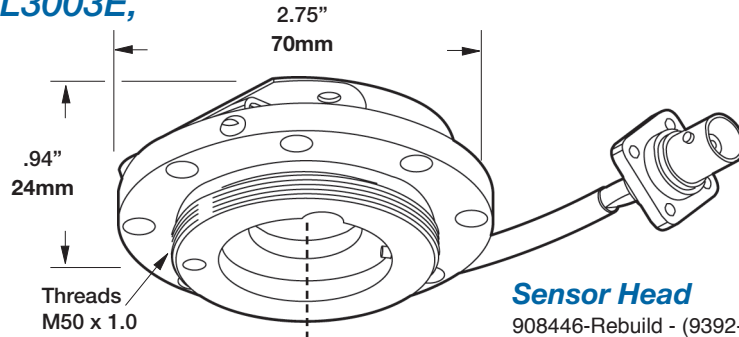
2.5S/TT
L1003, L2503, L3003, L4003



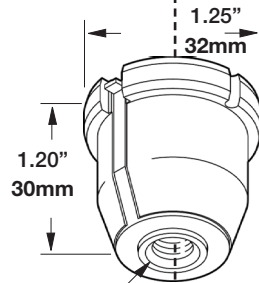
LASER

American Torch Tip Company is in no way affiliated with the above-named original equipment manufacturer(s) ("OEM"). References to the above-named machines, torches, and numbers are for your reference only. Most parts advertised for sale are made by or for American Torch Tip, and other parts as indicated, are original parts manufactured by above-named OEM and are simply being re-sold by American Torch Tip. Footnotes: * = OEM; # = American Torch Tip is licensed to make and sell this part by named manufacturer; ATTC and ATT suffix = This part is an original American Torch Tip design and is not manufactured identical to the OEM design; © indicates a registered trademark, trade name, or product name of the above-named company. PHD®, PHDX™, Lightning®, Waltec™, Integra™, Lasertec Laser Division of American Torch Tip®, Multi-Use™ and ProMix™ are trademarks owned by American Torch Tip Company. © Copyright 2021, American Torch Tip Company.

**Trumatic L2530, L3030,
L4030, L6030, L2503E, L3003E,
L4003E, TC 600L**



Sensor Head
908446-Rebuild - (9392-850)



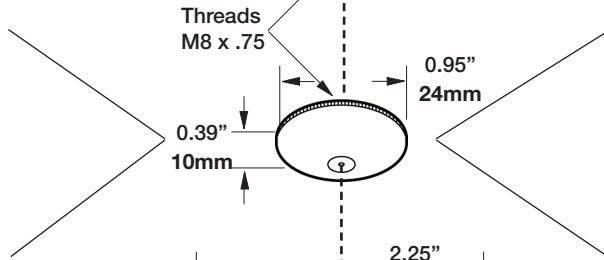
Nozzle Holder
254493
260432

Nozzle

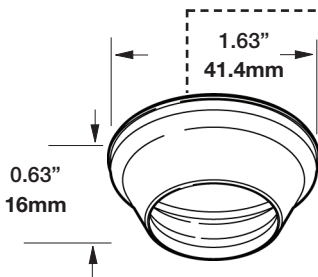
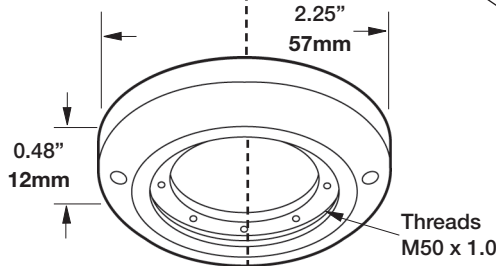
124561	0.8mm
124562	1.0mm
124562-1.1	1.1mm
237498-1.2	1.2mm
124562-1.5	1.5mm
124564	2.3mm
126933	2.3mm
237504	3.0mm
237501	1.7mm
237503	2.0mm
942742	2.7mm
237497	1.4mm
237500	1.5mm

Nozzle, Chrome

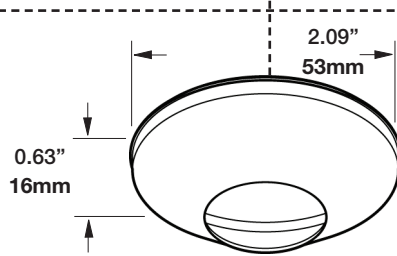
352280	0.8mm
352281	1.0mm
352282	1.2mm
352282-1.5	1.5mm
352285	2.3mm
352284	1.7mm
352287	2.0mm
352286	2.7mm
352283	1.4mm



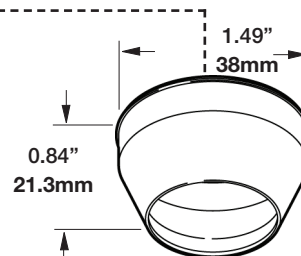
Cap Nut
256152



Teflon Cover
254496



Teflon Cover
225286

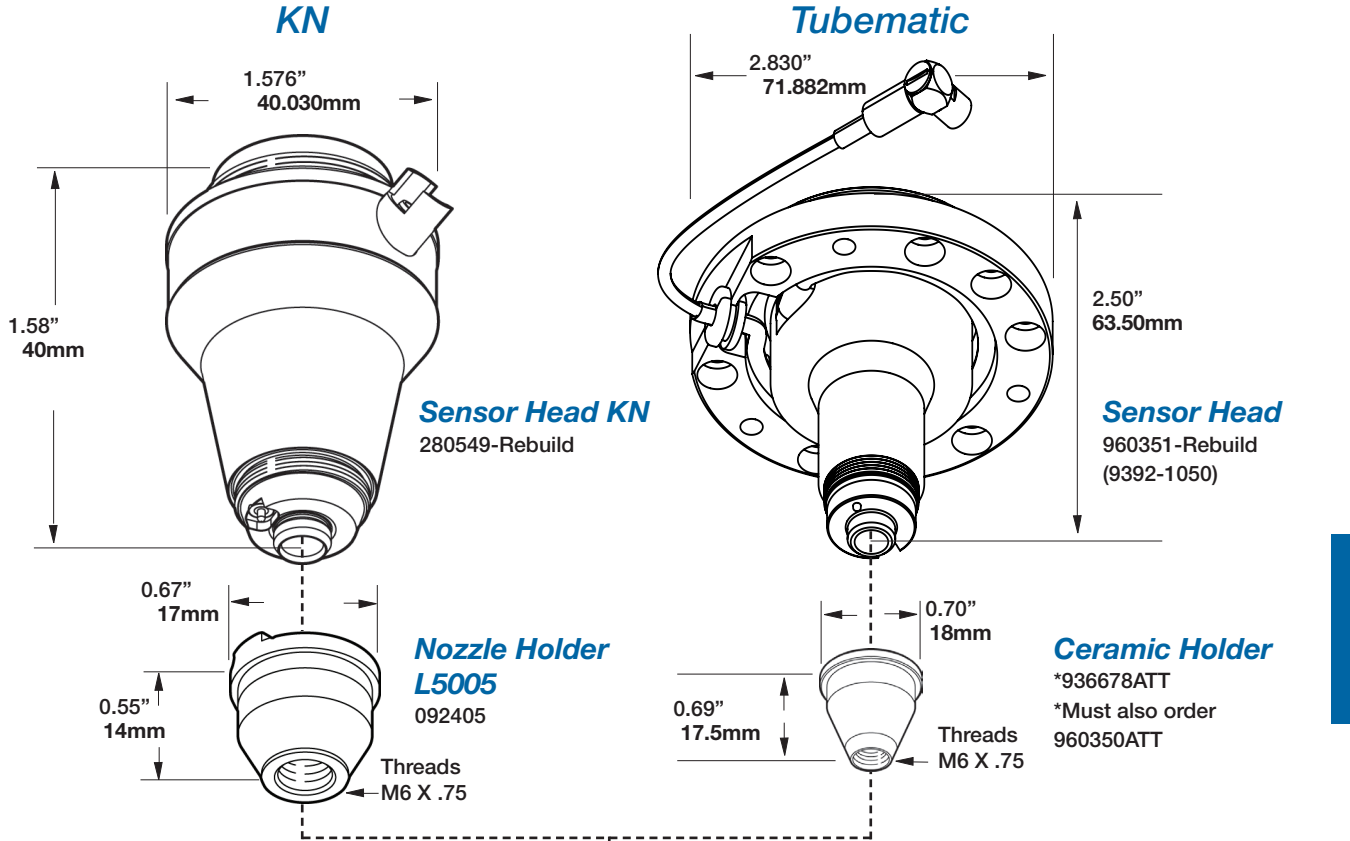


Teflon Cover
256153

LASER

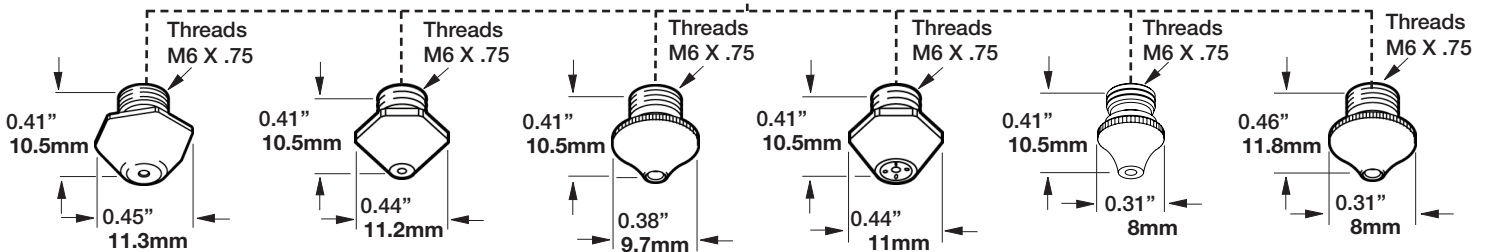
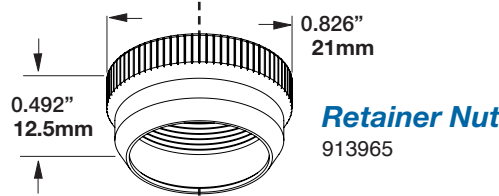
American Torch Tip Company is in no way affiliated with the above-named original equipment manufacturer(s) ("OEM"). References to the above-named machines, torches, and numbers are for your reference only. Most parts advertised for sale are made by or for American Torch Tip, and other parts as indicated, are original parts manufactured by above-named OEM and are simply being re-sold by American Torch Tip. Footnotes: * = OEM; # = American Torch Tip is licensed to make and sell this part by named manufacturer; ATTC and ATT suffix = This part is an original American Torch Tip design and is not manufactured identical to the OEM design; © indicates a registered trademark, trade name, or product name of the above-named company. PHD®, PHDX™, Lightning®, Waltec™, Integra™, Lasertec Laser Division of American Torch Tip®, Multi-Use™ and ProMix™ are trademarks owned by American Torch Tip Company. © Copyright 2021, American Torch Tip Company.

KN / Tubematic



LASER

Not Shown
 280550 Cone Nut
 960350ATT Cap Nut
 (for 936678-Att)
 233758 2-pc Retaining Ring



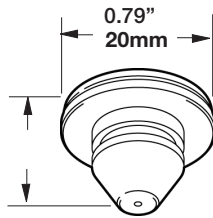
Nozzle L5005		Nozzle L5005		Nozzle		Shower Nozzle		Nozzle		Nozzle	
135423	0.8mm H.P.	226939	1.0mm Std.	135320	1.0mm Std.	955043		913799	0.8mm	224106	1.6mm
212334	1.0mm H.P.	226940	1.4mm Std.	135318	1.4mm H.P.			913800	1.0mm	224107	1.8mm
216199	1.4mm H.P.	227144	1.7mm	126157	1.75mm H.P.			913801	1.4mm	224109	2.0mm
225213	1.7mm H.P.	277177-2.0	2.0mm					937988	1.7mm	2085524	2.6mm
126156	2.3mm H.P.							937989	2.3mm		

American Torch Tip Company is in no way affiliated with the above-named original equipment manufacturer(s) ("OEM"). References to the above-named machines, torches, and numbers are for your reference only. Most parts advertised for sale are made by or for American Torch Tip, and other parts as indicated, are original parts manufactured by above-named OEM and are simply being re-sold by American Torch Tip. Footnotes: * = OEM; # = American Torch Tip is licensed to make and sell this part by named manufacturer; ATTC and ATT suffix = This part is an original American Torch Tip design and is not manufactured identical to the OEM design; © indicates a registered trademark, trade name, or product name of the above-named company. PHD®, PHDX™, Lightning®, Waltec™, Integra™, Lasertec Laser Division of American Torch Tip®, Multi-Use™ and ProMix™ are trademarks owned by American Torch Tip Company. © Copyright 2021, American Torch Tip Company.

TC 240, TC 260, TC 300
TrueLaser 3030, 5030, 5040, 5060

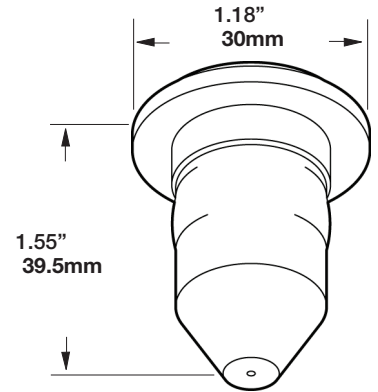
Punch Press Nozzle
For TC 240, TC 260

- 202952 0.8mm Std.
- 218969 1.0mm Std.
- 209402 1.4mm H.P.
- 211533 1.7mm H.P.
- 217953 1.7mm H.P.



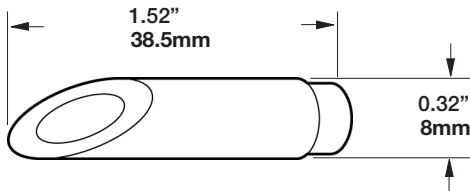
Nozzle For TC 300

060653-3 1.0mm



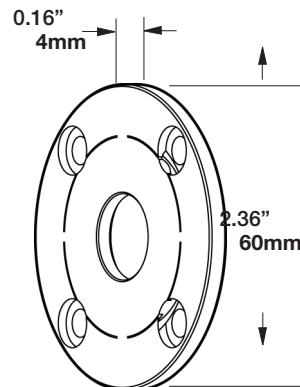
Blow Tube for TC Series

256184



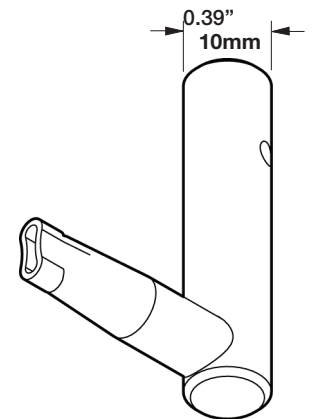
Cover Plate for TC Series

234485



Blow Pipe for TC Series

088557



LASER

Parts Available but Not Shown

149884/D5589-801-05000	Sensor Cable
149951	Cable MXC
562311	Cable BNC
563983	Cable BNC
778560	Focus Lens Set
P0589-400-00001-Rebuild / 778548-Rebuild	Sensor Inert MCX
P0589-800-00001-Rebuild / 562313-Rebuild	Sensor Inert BNC

OPTICS FOR TRUMPF® LASERS
Focusing Lenses

P/N	Lasertec P/N	Material	Diameter	Focal Length	Edge Thickness
058398	ZM15500100	ZnSe	1.5"	5.0"	.100"
088114	ZM15500291	ZnSe	1.5"	5.0"	.291"
095273	ZM15750100	ZnSe	1.5"	7.5"	.100"
097517	ZM15750291	ZnSe	1.5"	7.5"	.291"

Protective Windows

P/N	Material	Diameter	Edge Thickness
1254813	FS	134mm	3mm
1614767	FS	34mm	5mm
766719	FS	30mm	5mm
777936-FS	FS	22.35mm	4mm

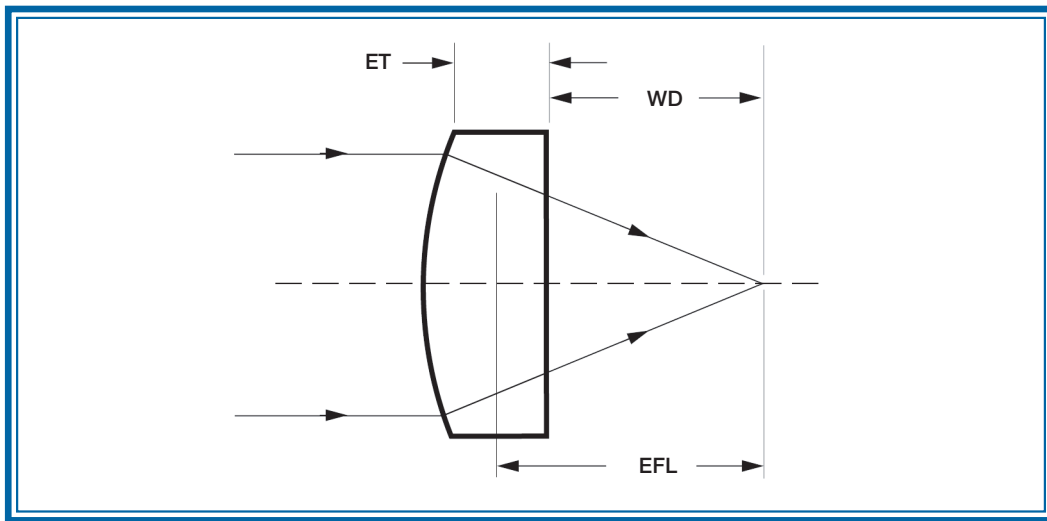
PLANO CONVEX

PLANO CONVEX FOCUSING LENSES

Plano convex lenses are a popular choice in high power CO₂ systems. When spot size and spherical aberration are not critical, these lenses are lower in cost than meniscus lenses, yet they still have the advantages of precise focusing and low absorption.

Standard Specifications:

Dimensional Tolerances		Surface Quality	
Diameter:	+0.000"/-0.005"	Scratch-Dig:	40-20
Thickness:	±.010"	*AR coating per surface:	<.2%
Edge Thickness Variation:	≤.002"	Clear Aperture:	90% of diameter
Focal Length:	±1%	Absorption:	<.2%



*Note: Lasertec offers a variety of focusing lenses. Please call for more information.

LASER

MENISCUS FOCUSING LENSES

Positive meniscus lenses have two curved surfaces designed to minimize spherical aberration and achieve the smallest focal spot size. This smaller spot size gives a higher power density at the workpiece. Like the plano-convex lenses, only high quality zinc selenide is used to maintain low absorption and extend the life of Lasertec lenses.

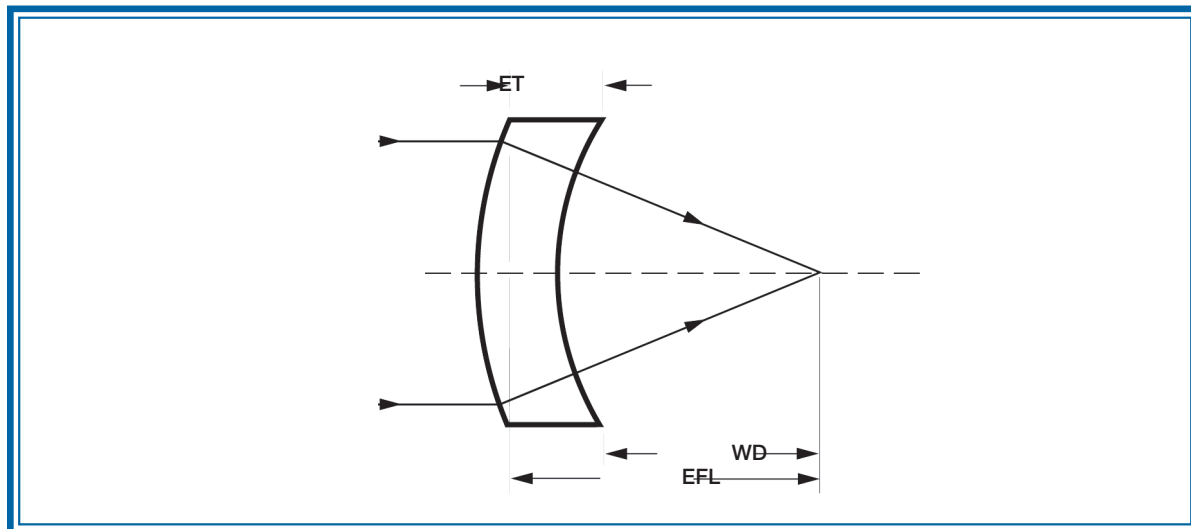
Standard Specifications:

Dimensional Tolerances

Diameter:	+0.000"/-0.005"
Thickness:	±.010"
Edge Thickness Variation:	≤.002"
Focal Length:	±1%

Surface Quality

Scratch-Dig:	40-20
* AR coating per surface:	≤.2%
Clear Aperture:	90% of diameter
Absorption:	≤.2%



*Note: Lasertec offers a variety of focusing lenses. Please call for more information.

LASER

Laser Index

Symbols

00-2293.....	29	03-8358.....	29	834-319-004.....	31	280029.....	51
01-2293.....	29	03-8720.....	29	834-319-009.....	31	280030.....	51
2.5S/TT.....	63	03-8729.....	29	834-319-010.....	31	280040.....	54,57
2.5"Z/J.....	45	3-14317.....	14	834-319-011.....	31	280041.....	54
02-2293.....	29	3-14318.....	14	834-319-012.....	31	280042.....	54
02-2293-2.5.....	29	3-14319.....	14	3030.....	66	280048.....	54
02-2293-3.0.....	29	3-16058-1.0.....	14	5030.....	66	280049.....	54
2-08700.....	14	3-16059.....	14	5040.....	66	280050.....	54
2-08701.....	14	3-16060.....	14	5060.....	66	280050-2.0.....	54
03-210T.....	29	3-16061.....	14	9123-47-46-3021.....	56	280408.....	54
03-214T.....	29	4-00184.....	18	9123-47-46-3021P.....	56	280549.....	54
03-215T.....	29	4-00185.....	18	9123-47-47-3020.....	56	280550.....	54
03-217T.....	29	4-00186.....	18	9123-47-49-3020.....	56	280551.....	54
03-224T.....	29	4-00187.....	18	9123-47-49-3020B.....	56	280552.....	54
03-230T.....	29	4-01642.....	14	9123-47-50-3020.....	56	280552-1.4.....	54
03-0335.....	29	4-01959.....	14	0018827-000.....	59	280553.....	54
03-0916.....	29	4-05094.....	18	0018827-100.....	59	280553-1.7.....	54
3-01658.....	14	4-05095.....	18	058398.....	67	280553-2.0.....	54
3-01905.....	14	4-09010.....	14	060653-3.....	66	280565.....	51
3-01906.....	14	5-05192/3-14319.....	14	62390.....	7	280566.....	51
3-01907.....	14	160-1.....	29	088114.....	67	280948.....	51
3-01908.....	14	160-2.....	29	095273.....	67	281029L.....	51
3-01909.....	14	160-3.....	29	097517.....	67	281029L-1.7.....	51
3-01910.....	14	216-10606.....	25	106054-000-2.0.....	58	281029L-1.8.....	51
3-01911.....	14	284.0402.....	55	135423.....	65	281123.....	52
3-01912.....	14	485.73.421.....	30	146323A4.....	57	281146/P0380-211-00001.....	51
3-01913.....	14	485.73.422.....	30	146324A4.....	57	281253/P0380-251-00010.....	51
3-01914.....	14	485.73.423.....	30	146325A4.....	57	281254/P0380-252-00012.....	51
3-01915.....	14	485.73.424.....	30	146326A4.....	57	281255/P0380-253-00015.....	51
3-02291.....	14	0591-573-00015.....	27	146327A4.....	57	281270/P0380-254-00020.....	51
03-2293.....	29	601-614-001.....	33	146328A4.....	57	149884/D5589-801-05000.....	66
03-2293-1.8.....	29	601-614-002.....	33	146329A4.....	57	149951.....	66
3-04273.....	14	601-614-003.....	33	146330A4.....	57	224106.....	65
3-04273-S.....	14	601-614-005.....	33	146331A4.....	57	224107.....	65
3-04274.....	14	601-859-002.....	33	149884/D5589-801-05000.....	66	224109.....	65
3-04277.....	14	603-172-001.....	33	149951.....	66	224109.....	65
3-05497.....	14	603-175-002.....	33	149951.....	66	233758.....	65
3-06035-C.....	14	603-271-001.....	34	224106.....	65	277177-2.0.....	65
3-06112.....	14	603-271-001-2.8.....	34	224107.....	65	280025.....	51
3-06112-3.5.....	14	603-271-002.....	34	224109.....	65	280025-3.0.....	51
		603-271-002-1.5S.....	34	224109.....	65	280025-3.5.....	51
		603-271-002-2.0.....	34	233758.....	65	280026.....	51
		603-271-003.....	34	277177-2.0.....	65	280027.....	51
		603-472-002.....	33	280025.....	51	280028.....	51
		603-939-001.....	33	280025-3.0.....	51	280028-1.7.....	51
		605-213-001.....	33	280025-3.5.....	51		
		605-213-001-1.75.....	33	280026.....	51		
		834-319-002.....	31	280027.....	51		
		834-319-003.....	31	280028.....	51		
				280028-1.7.....	51		

LASER

American Torch Tip Company is in no way affiliated with the above-named original equipment manufacturer(s) ("OEM"). References to the above-named machines, torches, and numbers are for your reference only. Most parts advertised for sale are made by or for American Torch Tip, and other parts as indicated, are original parts manufactured by above-named OEM and are simply being re-sold by American Torch Tip. Footnotes: * = OEM; # = American Torch Tip is licensed to make and sell this part by named manufacturer; ATTC and ATT suffix = This part is an original American Torch Tip design and is not manufactured identical to the OEM design; © indicates a registered trademark, trade name, or product name of the above-named company. PHD®, PHDX™, Lightning®, Waltec™, Integra™, Lasertec Laser Division of American Torch Tip®, Multi-Use™ and ProMix™ are trademarks owned by American Torch Tip Company. © Copyright 2021, American Torch Tip Company.

352282-1.5.....	64	960350ATT.....	65	1572361.....	3	241795.....	63
352286.....	64	1000746-100.....	59	1572361-3.0.....	3	243839.....	63
352287.....	64	1001019-000.....	58	1572362.....	3	247894.....	63
455014.....	13	1001020-000.....	58	1572362-1.4.....	3	254493.....	64
455024.....	13	1001151-000.....	59	1579549.....	61	254496.....	64
455034.....	13	1001152-000.....	59	1579556.....	61	256152.....	64
455044.....	13	1001233-150.....	58	1614767.....	67	256153.....	64
455054.....	13	1001233-200.....	58	1633046.....	61	256184.....	66
562311.....	66	1001233-250.....	58	1637264.....	61	258809.....	63
562313.....	53	1001233-300.....	58	1664545U.....	5	26-71270-60.....	23
563983.....	66	1001233-350.....	58	1664545U-1.0R.....	5	260432.....	64
567011.....	9	106054-000.....	58	1664545U-1.2.....	5	280010.....	49
567011-rebuild.....	9	106054-000-1.5.....	58	1664545U-1.5.....	5	280011.....	45, 49
632336-117.....	47	106054-100.....	58	1664545U-1.5R.....	5	280012.....	49
632755-117.....	57	123409-000.....	58	1664546U.....	5	280012A.....	49
633744-137.....	47	123409-100.....	58	2-10837.....	17	280013.....	49
766719.....	67	124561.....	64	202952.....	66	280014.....	49
777936-FS.....	67	124562.....	64	209402.....	66	280015.....	49
778548.....	53	124562-1.5.....	64	211533.....	66	280015-1.3.....	49
778560.....	66	124564.....	64	212334.....	65	280016.....	49
0800952-000.....	59	126156.....	65	215780.....	63	280064.....	55
087658.....	63	126157.....	65	216-20717.....	25	280549.....	65
088557.....	66	126933.....	64	216-20718.....	25	280831.....	51
088893.....	63	1254813.....	67	216-20719.....	25	280898 / P0352-336-00018.....	
092405.....	65	1300236.....	5	216-20720.....	25		52
100.703.2.....	24	1300266.....	6	216-20722.....	25	280899 / P0352-326-00018.....	
100.703.2-2.5.....	24	135318.....	65	216-20815.....	25		52
100.703.3.....	24	135320.....	65	216065.....	63	280927.....	49
100.703.4.....	24	149884/D5589-801-05000.....		216066.....	63	280937.....	49
100.703.5.....	24		53	216199.....	65	280937-2.5.....	49
908085.....	21	149951.....	53	217867.....	63	281003.....	52
909484.....	21	1324858.....	61	217953.....	66	281005 / P0352-323-00010.....	
910315-S.....	19	1324860.....	61	217976.....	63		52
913799.....	65	1324861.....	61	218969.....	66	281006 / P0352-333-00010.....	
913800.....	65	1324863.....	61	221781.....	63		52
913801.....	65	1324864.....	61	225213.....	65	281009.....	55
913965.....	65	1324865.....	61	225286.....	64	281010 / P0352-352-00008.....	
913987.....	21	1324866.....	61	226939.....	65		52
922376.....	21	1324867.....	61	226940.....	65	281013 / P0352-325-00015.....	
922377.....	21	1373324.....	61	227144.....	65		52
923013.....	19	1373325.....	61	234485.....	66	281024.....	49
923014.....	19	1373326.....	61	235592.....	63	281024-1.8.....	49
923025.....	19	1373327.....	61	237497.....	64	281030 / P0352-334-00012.....	
924635.....	19	1373328.....	61	237497S.....	64		52
924636.....	19	1373329.....	61	237498-1.2.....	64	281031 / P0352-335-00015.....	
936678ATT.....	65	1373330.....	61	237500.....	64		52
937988.....	65	1373331.....	61	237501.....	64	281034 / P0352-324-00012.....	
937989.....	65	1507610.....	10	237503.....	64		52
942638.....	19	1568227.....	3	237872.....	63	281035 / P0352-354-00012.....	

281036 / P0352-355-00015	52	10035268	15	352281	64	71369812	3
281242	55	10035269	15	352283	64	71369813	3
281243	55	10035270	15	352284	64	71369813-2.5	3
281293	55	10035271	15	352285	64	71369815	3
281298	55	10035272	15	62094003	4	71369816	3
281329	50	10035275	15	62094004	4	71369817	3
281330	50	10035278	15	62094005	10	71374509	9
281331	50	10035290	15	62094006	10	71398293	9
281351	50	10035292	15	62094006-2.5	10	71398965	9
281352	50	10035294	15	62094006-RING	10	71399107	8
281353	50	10035296	15	62094008	10	71399107-Rebuild	8
281354	50	10035298	15	71101901	4	71461026	3
281463	50	10035301	15	71101902	4	71461029	3
281548	50	10035302	15	71101905	3	71501056	3
281549	50	10045746	15	71101999	4	71501057	3
281550	50	10046025	16	71101999-2.5	4	71501058	3
281551	50	10046030	16	71102000	4	71501059	3
281561/778550	53	10049744	15	71102000-1.75	4	71501070	10
281590	50	10049747	15	71109613	9	71501072	10
281591	50	10051133	16	71341481	3	71501092	3
281672	50	10054099	16	71341515	10	71501093	3
281814-2.0	53	10071494	16	71341515-1.75	10	71502037	3
281814/149957	53	10075057	15	71341515-3.0	10	71502043	3
1755673	61	29100023	59	71341621	9	71512355	9
1809091	61	29100030	59	71341622	7, 8	71570020	3
1809421	61	29100055	59	71341630	9	71570021	3
1835747	61	29100061	59	71341634	8	71570022	3
1879940	62	29100062	59	71341680	5	71570023	3
1879951	62	29100115	59	71341680-3.0	5	71570026	11
1879952	62	29100116	59	71341680-3.5	5	71570030	3
1879953	62	3-00407	17	71341682	6	71571308	11
1886199	61	3-01894	17	71341682-2.0	6	71712335	3
1906032	62	3-01895	17	71341682-3.0	6	71712692	3
2059462	61	3-01896	17	71341682-4.0	6	71800018/W266	7
2060001	61	3-01897	17	71341682-0	6	71800019/W267	7
2060004	61	3-01898	17	71341683	4	71800023/W270	7
2060025	61	3-01899	17	71341684	6	79369815	3
2085524	65	3-01900	17	71341685	4	81140186	11
2253595	61	3-01901	17	71341687- Rebuild	6	81140190	11
5241863	58	3-01902	17	71341690	9	81140221	11
6506892	4	3-01903	17	71341690-6	9	81140225	11
7128020	6	3-04271	17	71341690-Rebuild	9	81140305	11
7150157	3	3-04272	17	71341728	3	81140306	11
7150158	3	3-04275	17	71341729	3	81140307	11
8249301	10	3-04276	17	71360091-Rebuild	5	81140389	11
10035266	15	3-09001	17	71361393	9	81140400	11
10035267	15	3-13113	17	71362733	10	91800024/W515	7
		3-13422	17	71366096	6	0628331820	35
		352280	64	71369809	5	06283301050	35

American Torch Tip Company is in no way affiliated with the above-named original equipment manufacturer(s) ("OEM"). References to the above-named machines, torches, and numbers are for your reference only. Most parts advertised for sale are made by or for American Torch Tip, and other parts as indicated, are original parts manufactured by above-named OEM and are simply being re-sold by American Torch Tip. Footnotes: * = OEM; # = American Torch Tip is licensed to make and sell this part by named manufacturer; ATTC and ATT suffix = This part is an original American Torch Tip design and is not manufactured identical to the OEM design; © indicates a registered trademark, trade name, or product name of the above-named company. PHD®, PHDX™, Lightning®, Waltec™, Integra™, Lasertec Laser Division of American Torch Tip®, Multi-Use™ and ProMix™ are trademarks owned by American Torch Tip Company. © Copyright 2021, American Torch Tip Company.

06283301200	35	6930250852	13	46143304480 2.5	39	4660350001	36
06283301210	35	6930250853	13	46143304490	34_39	46603350540	38
06283301790	35	6930250854	13	46143304500	34	46612350270	40
06283301800	35	6930250857	13_16	46143304510	34	46612350280	40
06283301810	35	6930250858	13	46143306460	34	46612350280S	40
06283301840	35	6930250859	13	46143306480	34	4663350002	38
06283302110	35	6930250860	13	46143306490	34	46654801053	39
6603305021-1.8	38	6930250861	13	46143306500	34	46683300030	38
6930003224	13	36143304420	34	46143306510	34	46683300850	37
6930250001	50	36143310523	35	46143310332	35	46683300930	36
6930250002	50	36143310740	34	46143310341	35	46683301070	36
6930250003	50	36143311500	35	46143310351	35	46683301080	36
6930250004	50	36143311510	35	46143310361	35	46683301090	36
6930250031	13	36143311520	35	46143310371	35	46683301100	36
6930250032	13	36143311530	35	46143310381	35	46683301110	36
6930250033	13	36143311535	35	46143310391	35	46683301120	36
6930250034	13	36143312230	35	46143310401	35	46683301130	37
6930250035	13	36143312240	35	46512300520	40	46683301140	37
6930250036	13	36143312250	35	46522300241	40	46683301150	37
6930250043	13	36143312260	35	46522300242	39	46683301160	37
6930250044	13	36143312280	35	46523300060	34_35_38	46683301170	37
6930250800	13	36143312300	35	46523300061	38	46683301281	38
6930250801	13	36143312310	35	46523300061-1.8	38	46683301821	37
6930250802	13	36143312311	35	46523300062	38	46683301841	37
6930250803	13	36143312320	35	46523300063	38	46683301930	37
6930250804	13	36143312330	35	46523300063-2.5	38	46683301950	37
6930250805	13	36143312340	35	46523300080	38	46683301950-1.0	37
6930250806	13	36143312350	35	46523300090	38	46683301950-1.2	37
6930250807	13	36143312390	35	46572301013	40	46683301950-3.5	37
6930250808	13	36564800714	39	46572301041	40	46683301950-4.0	37
6930250809	13	36564801270	39	46572301041T	40	46683301960	37
6930250810	13	36572301012	40	46572301042	40	46683301970	37
6930250811	13	36602300230	40	46572301042S	40	46683301980	39
6930250812	13	36602300550	40	46583301720	38	46713300280	39
6930250813	13	36623300700	39	46600030013	39	46713300290	39
6930250814	13	36673300280	40	46602350080	40	46713300300	39
6930250815	13	36682300050	40	46602350080S	40	46713300310	39
6930250816	13	36682300280	40	46602350080X	40	46713300320	39
6930250817	13	36682300281	40	4660235070	40	46713300410	39
6930250818	13	4-00324	17	46603300032	36_38	46713300430	39
6930250837	13	4-03136	17	46603350510	38	46713300440	39
6930250838	13	4-03137	17	46603350520	38	485.73.114C	30
6930250845	13	415684-015	49	46603350521	38	485.73.115A	30
6930250846	13	46143304450	34	46603350521-1.2	38	485.73.116A	30
6930250847	13	46143304450 1.5	39	46603350521-1.3	38	5241855	58
6930250848	13	46143304460	34	46603350521-1.6	38	5241856	58
6930250849	13	46143304460 2.0	39	46603350522	38	5241857	58
6930250850	13	46143304470	39	46603350522-2.5	38	5241862	58
6930250851	13	46143304480	34	46603350523	38	5241877	58

LASER

5241878	58	920006-2.5	20	BQ983D151-H01	43	D	
5241982	58	922408	19	BQ983D151-H04	43	D40	60
562311	53	922464	20	BQ983D152-H01	43	D50	60
563983	53	922465	20	BQ983D152-H05	43	DIRECTED LIGHT®	22
46773300721	37	922770	20	BQ983D153-H01	43	DX	55
56743300500	39	922772	20	BQ983D153-H02	43	DXN	55
603-271-005	34	923013	19	BQ983D206H00	43	DZ	55
710.11.150	30	923014	19	BQ983D206H01	43		
710.11.152	30	923021-S	19	BQ983D206H02	43	E	
710.11.153	30	923259	19	BQ983D206H03	43	ELE-AL 1.5	22
710.11.155	30	923260	19	BQ983D206H04	43	ELECTROX	22
710.11.156	30	924634	19	BQ983D206H11	43		
71101905	3	924634-4.0	19	BQ983D206H12	43	F	
71341610	5	924636	19	BQ983D206H13	43	FANUC®	23
71341610-2.5	5	924637	19	BQ983D206H14	43	FiberCut™ ST	32
71341614A	5	942742	64	BQ983D314-H01	43	FN4325	22
71360090	5	955043	65	BQ983D314-H03	43	FN5800	22
71360091	5	960351	65	BQ980442G01	43		
71360142	5	968-41-57-812	28	BY310-0398	16	G	
71369819	5	968-41-57-812-1.6	28	BySmart	15	Gremada®	24
722.52190	42	968-41-57-850	28	Byspeed and Spare Parts	17		
722.52191	42	968-41-93-761	28	Bysprint®	14_15	H	
722.52192	42			BySprint	15	H03014	27
722.52280	42	A		Bystar®	14_15	H03017	27
722.52281	42	AHS100	10	ByStar	15	H03019	27
722.52282	42	Amada®	6	Bystronic®	14_15_16_17_18	H03021	27
7945434	58	Lasmac 667/664 Water		BYSTRONIC® - FIBER	14_15	H03023	27
7945452	58	Assist..... 4		C		HCH-S01201	26
7945470	58	WACS Sensor System		C20D	60	HCH-TP1515	26
7945517	58	6		C20D-1	60	HCH-TP1520	26
834-319-001	31	Amada®	3_4_5_7_8	C20D-2	60	HCH-TP1525	26
907469	20	Optics	9_10	C20E	60	HCH-TP2030	26
907470	20	Sensor System HS95. 5		C20E-1	60	Huffman®	25
907470-1.8	20	B		C20E-2	60	K	
907470-S	20	Behrens®	11	C20E-2-1.5	60	KN	55_65
907472	20	BEHRENS®	12	C22D	60	KN / Tubematic	65
907557	21	BLM®/Adige	13	C22D-1	60	Komatsu®	28
907677	20	BQ980D311G02	43	C22D-2	60		
908090	20	BQ980D328G01	43	C25C	60	L	
908090-2.0	20	BQ980D434G01	43	C25C-1	60	L4003E	64
908090-S	20	BQ980D434G15	43	C25C-2	60	L51	12
908446	64	BQ980D434G20	43	C30D	60	L52	12
909657	19	BQ980D434G25	43	C30E	60_65	L53	12
909658	19	BQ980D434G30	43	C30E-1	60	L53-2.0	12
909659	19	BQ980D434G35	43	C50762A	13	L60	12
909660	19	BQ980D442G03	43	Cincinnati®	19_20_21		
910315	19	BQ983D150-H01	43				
910315-S	19						
920006	20						

American Torch Tip Company is in no way affiliated with the above-named original equipment manufacturer(s) ("OEM"). References to the above-named machines, torches, and numbers are for your reference only. Most parts advertised for sale are made by or for American Torch Tip, and other parts as indicated, are original parts manufactured by above-named OEM and are simply being re-sold by American Torch Tip. Footnotes: * = OEM; # = American Torch Tip is licensed to make and sell this part by named manufacturer; ATTC and ATT suffix = This part is an original American Torch Tip design and is not manufactured identical to the OEM design; © indicates a registered trademark, trade name, or product name of the above-named company. PHD®, PHDX™, Lightning®, Waltec™, Integra™, Lasertec Laser Division of American Torch Tip®, Multi-Use™ and ProMix™ are trademarks owned by American Torch Tip Company. © Copyright 2021, American Torch Tip Company.

ZM15750100..... 67
ZM15750291..... 59_67
ZM15750350..... 59
ZM18500354..... 59
ZM18750354..... 59
ZM20100380..... 59
ZM20125380..... 59
ZM20750380..... 47_59



MIG WELDING PRODUCTS

LIGHTNING

PLASMA CUTTING PRODUCTS

PHD[®] PHDX[®] CleanCut

OXY-FUEL WELDING & CUTTING PRODUCTS

*AMERICAN
TORCH TIP* **ATTC[®]**

TIG WELDING PRODUCTS

*AMERICAN
TORCH TIP* **ATTC[®]**

LASER CUTTING PRODUCTS

LASERTEC[®]



Since 1940
Made In the USA

*AMERICAN
TORCH TIP* **ATTC[®]**